

KITCHEN ACCESSORIES





Corner Units

6-25

Corner pullouts in multiple designs, basket quantities, and colours, as well as Lazy Susans.

Tall Pantry

26-43

Pullout larder units and tall pantry storage systems.

Base Cabinets

44-61

Bottom and side-mounted pullouts in a range of widths for multiple applications.

Upper Cabinets

62-67

Upper cabinet pullouts provide easier access to stored goods.

Waste Storage

68-93

Bottom and side-mounted pullout waste bins in multiple bin sizes and configurations.

Laundry & Bath

94-101

Side and bottom-mounted pullout and tilt out laundry hampers.

Shelving Systems

102-111

Modular shelving provides additional storage that can be customized to any space.

Kitchen Organization

112-125

Cutlery trays, stemware holders, and spice racks give all the small items in the kitchen a home.

Let a Functional Space Make Your Life Easier!

The secret to a well organized, functional kitchen is having a place for everything and everything in its place. Storage accessories can dramatically assist in organization of the kitchen by using all of the available space. Save time, maximize efficiency, and even reduce the possibility of injury with functional kitchen solutions.

Find New Space

Arguably the greatest benefit to outfitting your kitchen with the proper accessories is the space that is created. We pay an unbelievable amount of money for homes these days and to waste even a square inch is counter-productive. Utilizing all available space in every room throughout the house is the best way to get the most value out of your home. Blind corner pullouts are a great way to utilize previously wasted space.

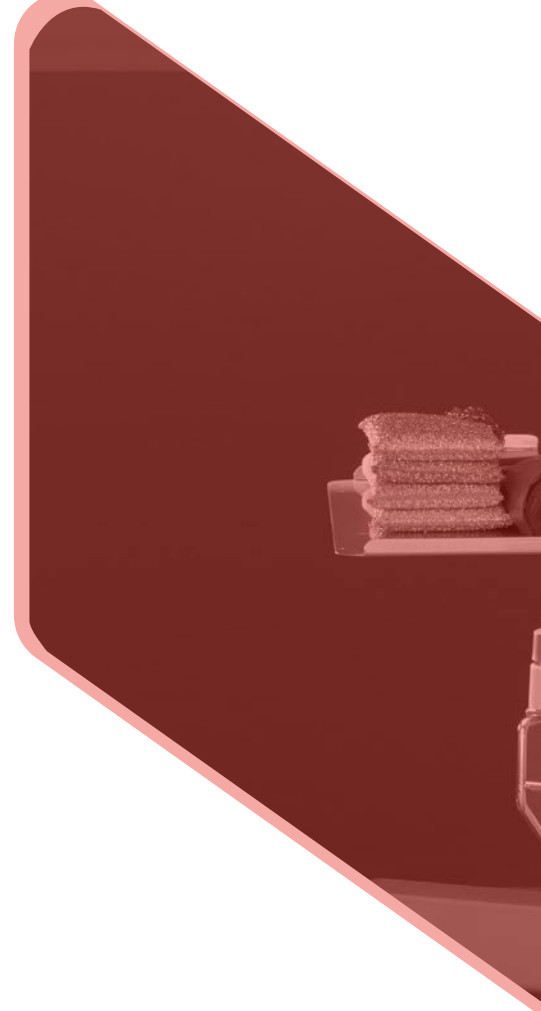
Save Time and Maximize Efficiency

Instead of having to search high and low, pulling everything out of a cabinet, or trying to remember where you put the can of fava beans (probably next to the chianti), a few functional storage accessories such as drawer organizers or pullout waste bins in the right place can save a lot of time. For today's busy household, every minute saved while doing chores, is a minute that can go toward more important things such as family, friends, or relaxing with that bottle of chianti.

Reduce Injury

Without having to bend, stretch, or put yourself in an awkward position, a blind corner or base cabinet pullout can greatly reduce the risk of injury within the home. When given the choice, why not bring the items closer to you, instead of having to strain or blindly dig around in the back of your lower cabinets to find something? Save your back, knees, and unnecessary frustration by picking the solution that is right for you.

No matter the type of lifestyle you live, your space, time, and personal well-being are important. Protect all of them with the proper home storage accessories and reap the benefits day in and day out.





**TREND
DESIGN
INNOVATE**



CORN



Corner Cabinets have always been a tricky area in the kitchen, traditionally being underutilized or unused space altogether and often leaving an awkward hole to be filled.

Use all of the space in your blind or pie-shaped corners with one of our many high-quality corner cabinet solutions.



ER

Galaxy Fly Moon, Anthracite Grey



PRODUCT FEATURES

The Fly Moon blind corner storage unit provides a practical and elegant solution for difficult to reach spots in blind corner cabinets. Emphasize its natural elegance with the new Anthracite Grey finish.

- Patented mechanism only requires installation on one side of cabinet
- Two sizes for 450 and 600mm (18 and 24") doors in 900 and 1200mm (36 and 48") blind corner cabinets
- Soft-close sold separately
- Order for left or right opening
- Anti-slip wood melamine bottom which is TSCA Title VI compliant
- Load capacity: 20kg (44lbs) per shelf



Anthracite Grey,
Dark Grey Melamine

Order Information

1a Mechanism Anthracite for 450mm (18") Door



Height Adjustment
665 - 805mm
(26 3/8 - 31 1/8")

Direction	Part#
Left Open	041-VGFML45-AG
Right Open	041-VGFMR45-AG

1b Baskets Anthracite for 450mm (18") Door, Set of 2



W x H x D
816 x 86 x 434mm
(32 1/8 x 3 3/8 x 17 1/8")

Direction	Part#
Left Open	041-VGFBL45-AG
Right Open	041-VGFBR45-AG

2a Mechanism Anthracite for 600mm (24") Door



Height Adjustment
665 - 805mm
(26 3/8 - 31 1/8")

Direction	Part#
Left Open	041-VGFML60-AG
Right Open	041-VGFMR60-AG

2b Baskets Anthracite for 600mm (24") Door, Set of 2



W x H x D
974 x 86 x 453mm
(38 3/8 x 3 3/8 x 17 3/8")

Direction	Part#
Left Open	041-VGFBL60-AG
Right Open	041-VGFBR60-AG

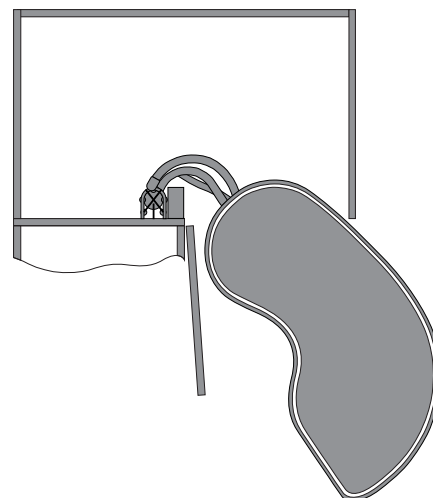
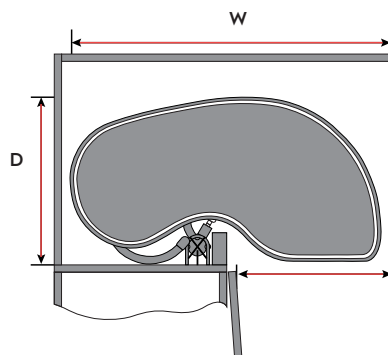
3 Soft-Close Mechanism Optional

See Page 9 (on right) for Ordering Information.

Planning

Minimum Interior Cabinet Dimensions mm/inch

- 1 W x H x D 860 x 665-805 x 489mm (33 7/8 x 26 3/8 - 31 1/8 x 19 1/4")
Minimum Door Opening: 407mm (16")
- 2 W x H x D 1020 x 665-805 x 489mm (40 3/8 x 26 3/8 - 31 1/8 x 19 1/4")
Minimum Door Opening: 534mm (21")



*Right Open Version Shown

PRODUCT FEATURES

The Fly Moon blind corner storage unit provides a practical and elegant solution for difficult to reach spots in blind corner cabinets. Made in Italy by Vibo to European standards.

- Patented mechanism only requires installation on one side of cabinet
- Designed for a 450mm (18") door in 900mm (36") blind corner cabinets
- Soft-close sold separately
- Order for left or right opening
- Anti-slip wood melamine bottom which is TSCA Title VI compliant
- Load capacity: 20kg (44lbs) per shelf



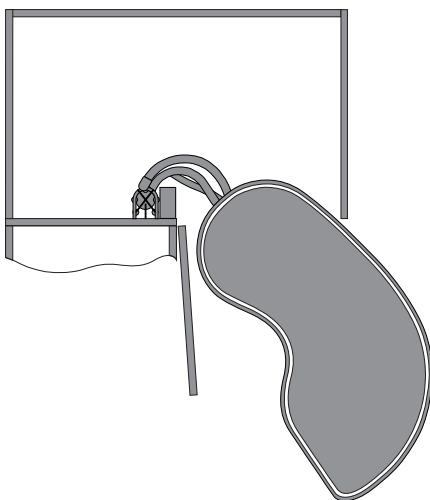
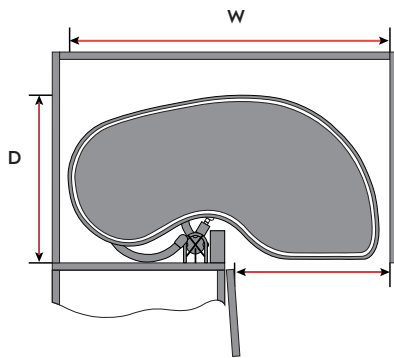
Chrome Finish,
White Melamine



Planning

Minimum Interior Cabinet Dimensions mm/inch

W x H x D 860 x 665-805 x 489mm (33 7/8 x 26 3/8 - 31 1/8 x 19 1/4")
 Minimum Door Opening: 407mm (16")



*Right Open Version Shown

Order Information

1 Mechanism Light Grey for 450mm (18") Door

Height Adjustment
665 - 805mm
(26 3/8 - 31 1/8")

Direction	Part#
Left Open	041-VFML
Right Open	041-VFMR



2 Baskets Chrome/White for 450mm (18") Door, Set of 2

W x H x D
816 x 86 x 434mm
(32 1/8 x 3 3/8 x 17 1/8")

Direction	Part#
Left Open	041-VFBL-E
Right Open	041-VFBR-E



3 Soft-Close Mechanism Optional

Direction	Part#
Left Open	041-VFML-SC
Right Open	041-VFMR-SC



Galaxy Fly Moon, Small Door



PRODUCT FEATURES

The Fly Moon blind corner storage unit provides a practical and elegant solution for difficult to reach spots in blind corner cabinets. Made in Italy by Vibo to European standards.

- Patented mechanism only requires installation on one side of cabinet
- Designed for 400mm (16") doors in 800mm (32") blind corner cabinets
- Kit includes soft-close mechanism
- Order for left or right opening
- Anti-slip wood melamine bottom which is TSCA Title VI compliant
- Load capacity: 20kg (44lbs) per shelf



A Champagne Finish,
Maple Melamine



B Chrome Finish,
Light Grey Melamine



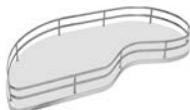
C Chrome Finish,
White Melamine

Order Information

1 Mechanism Left Open for 400mm (16") Door, with Soft-Close

Height Adjustment
665 - 805mm
(26 3/8 - 31 1/8")

Finish	Part#
Champagne	041-VSQFLYASTM2SXVCH
Light Grey	041-VSQFLYASTM2SXVG

2 Baskets Left Open for 400mm (16") Door, Set of 2

W x H x D
734 x 86 x 399mm
(28 7/8 x 3 3/8 x 15 1/8")

Finish	Part#
A Champagne/Maple	041-VSQFLY40SXM2OMVCH
B Chrome/Light Grey	041-VSQFLY40SXM2OMGC
C Chrome/White	041-VSQFLY40SXM2OMC

1 Mechanism Right Open for 400mm (16") Door, with Soft-Close

Height Adjustment
665 - 805mm
(26 3/8 - 31 1/8")

Finish	Part#
Champagne	041-VSQFLYASTM2DXVCH
Light Grey	041-VSQFLYASTM2DXVG

2 Baskets Right Open for 400mm (16") Door, Set of 2

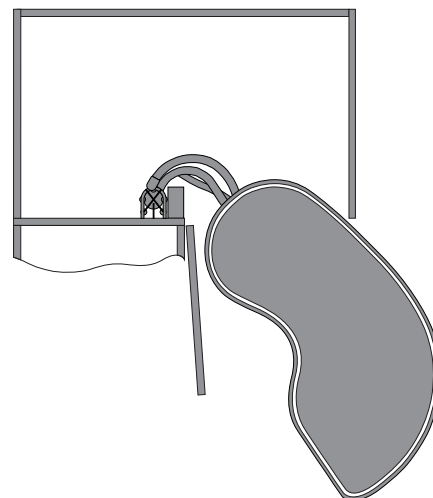
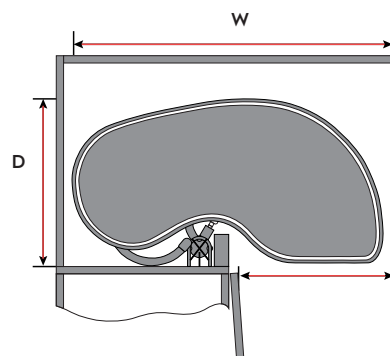
W x H x D
734 x 86 x 399mm
(28 7/8 x 3 3/8 x 15 1/8")

Finish	Part#
A Champagne/Maple	041-VSQFLY40DXM2OMVCH
B Chrome/Light Grey	041-VSQFLY40DXM2OMGC
C Chrome/White	041-VSQFLY40DXM2OMC

Planning

Minimum Interior Cabinet Dimensions mm/inch

W x H x D 760 x 665-805 x 489mm (29 1/8 x 27 3/4 - 31 1/8 x 19 1/4")
Minimum Door Opening: 347mm (13 5/8")

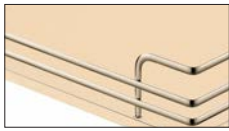


*Right Open Version Shown

PRODUCT FEATURES

The Fly Moon blind corner storage unit provides a practical and elegant solution for difficult to reach spots in blind corner cabinets. Made in Italy by Vibo to European standards.

- Patented mechanism only requires installation on one side of cabinet
- Designed for a 450mm (18") door in 900mm (36") blind corner cabinets
- Kit includes soft-close mechanism
- Order for left or right opening
- Anti-slip wood melamine bottom which is TSCA Title VI compliant
- Load capacity: 20kg (44lbs) per shelf



A Champagne Finish, Maple Melamine



B Chrome Finish, Light Grey Melamine



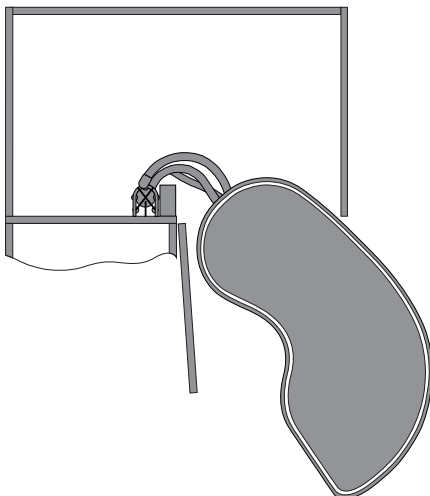
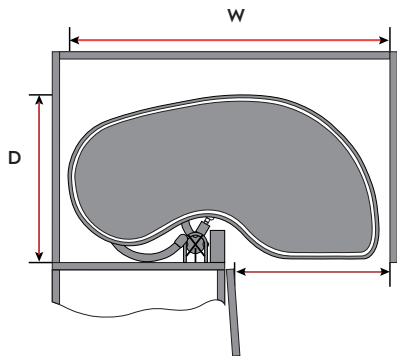
C Chrome Finish, White Melamine



Planning

Minimum Interior Cabinet Dimensions mm/inch

W x H x D 860 x 665-805 x 489mm (33 7/8 x 26 3/8 - 31 1/8 x 19 1/4")
 Minimum Door Opening: 407mm (16")



*Right Open Version Shown

Order Information

1 Mechanism Left Open for 450mm (18") Door, with Soft-Close

Height Adjustment
 665 - 805 mm
 (26 3/8 - 31 1/8")

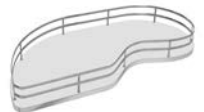
Finish	Part#
Champagne	041-VSQFLYASTM2SXVCH
Light Grey	041-VSQFLYASTM2SXVG



2 Baskets Left Open for 450mm (18") Door, Set of 2

W x H x D
 816 x 86 x 434mm
 (32 1/8 x 3 3/8 x 17 1/8")

Finish	Part#
A Champagne/Maple	041-VSQFLY45SXM2OMVCH
B Chrome/Light Grey	041-VSQFLY45SXM2OMGC
C Chrome/White	See Page #9



1 Mechanism Right Open for 450mm (18") Door, with Soft-Close

Height Adjustment
 665 - 805 mm
 (26 3/8 - 31 1/8")

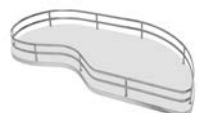
Finish	Part#
Champagne	041-VSQFLYASTM2DXVCH
Light Grey	041-VSQFLYASTM2DXVG



2 Baskets Right Open for 450mm (18") Door, Set of 2

W x H x D
 816 x 86 x 434mm
 (32 1/8 x 3 3/8 x 17 1/8")

Finish	Part#
A Champagne/Maple	041-VSQFLY45DXM2OMVCH
B Chrome/Light Grey	041-VSQFLY45DXM2OMGC
C Chrome/White	See Page #9



Galaxy Uniko



PRODUCT FEATURES

Uniko is an innovative corner storage solution that mounts onto an existing shelf. Can be installed alone or as a pair. Uniko is perfect for kitchen renovations and refacing projects, as a budget friendly addition when you have corner cabinets with centre shelves.

- Designed for 450mm (18") doors in 900mm (36") blind corner cabinet
- Bottom mounted to shelf
- Universal for both left or right openings
- Anti-slip wood melamine bottom which is TSCA Title VI compliant
- Sold individually not as pairs
- Load Capacity: 25kg (55lbs) per shelf



A Anthracite Grey,
Dark Grey Melamine



B Chrome Finish,
White Melamine

Order Information

- 1** Universal Kit, for 450mm (18") Door, set of 1 pullout shelf



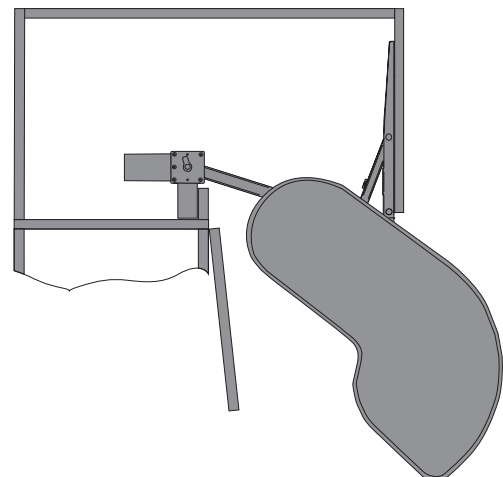
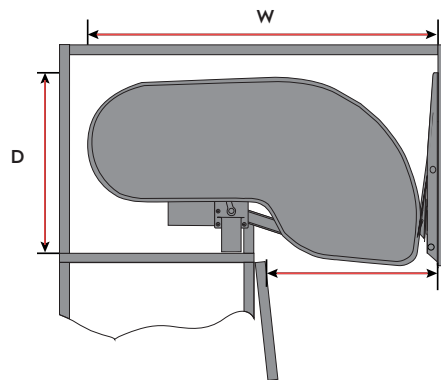
W x H x D
840 x 176 x 445mm
(33 1/8 x 6 15/16 x 17 1/2")

Finish	Part#
A Anthracite Grey	041-VUK45G
B Chrome/White	041-VUK45WC

Planning

Minimum Interior Cabinet Dimensions mm/inch

W x H x D 840 x 176 x 490mm (33 1/8 x 6 15/16 x 19 3/8")
Minimum Door Opening: 400mm (15 3/4")



*Right Opening Shown. Product is Universal.

PRODUCT FEATURES

Our Half Moon corner susan provides elegant storage for difficult to reach cabinets. Made in Italy by Vibo to European luxury standards. Now available in the new Anthracite Grey finish.

- For 381mm or 450mm (15" or 18") cabinet doors
- Universal for both left or right openings
- Includes door-follow bracket
- Anti-slip wood melamine bottom which is TSCA Title VI compliant
- Load Capacity: 9kg (20lbs) per shelf for 668mm size
- Load Capacity: 11kg (24lbs) per shelf for 768mm size



Anthracite Grey,
Dark Grey Melamine

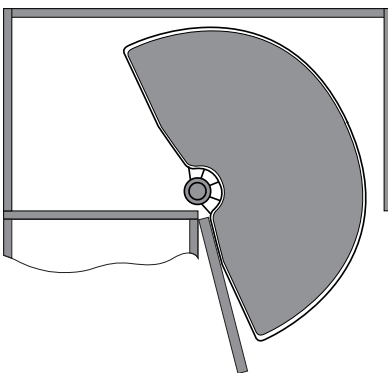
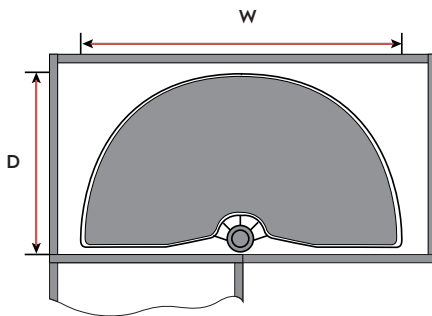


Planning

Minimum Interior Cabinet Dimensions mm/inch

2a W x H x D 668 x 645-720 x 371mm (26 3/8 x 25 3/8 - 28 3/8 x 14 5/8")

2b W x H x D 768 x 645-720 x 420mm (30 1/4 x 25 3/8 - 28 3/8 x 16 5/8")



*Right Opening Shown. Product is Universal.

Order Information

1 Adjustable Height Metal Post, Chrome

Height Adjustment
645 - 720mm
(25 3/8 - 28 3/8")

Part#

041-VSQTBS002C



2a Baskets Anthracite, for 381mm (15") doors, set of 2 with Fast-Block fittings

W x H x D
668 x 111 x 371mm
(26 3/8 x 4 3/8 x 14 5/8")

Part#

041-VGLH660-AG



2b Baskets Anthracite, for 450mm (18") doors, set of 2 with Fast-Block fittings

W x H x D mm
768 x 111 x 420mm
(30 1/4 x 4 3/8 x 16 5/8")

Part#

041-VGLH760-AG



Galaxy Kidney Lazy Susan



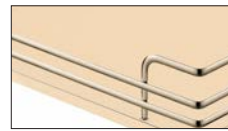
PRODUCT FEATURES

Vibo's high-quality kidney shaped Lazy Susan is available in two common sizes. As an attractive upgrade option for your corner storage, our three finish options will match any project design.

- Ideal for 90 degree pie-corner cabinets
- Available in 2 diameter sizes: 715mm or 815mm (28" or 32")
- Anti-slip wood melamine bottom which is TSCA Title VI compliant
- Load Capacity: 13kg (29lbs) per shelf for 28" size
- Load Capacity: 16kg (35lbs) per shelf for 32" size



A Anthracite Grey,
Dark Grey Melamine



B Champagne Finish,
Maple Melamine



C Chrome Finish,
White Melamine

Order Information

1 Adjustable Height Metal Post, Chrome

Height Adjustment
645 - 720mm
(25 3/8 - 28 3/8")

Part#

041-VSQT85002C

2a Baskets 715mm (28") diameter, set of 2 including Fast-Block fittings

Ø x H
715 x 111mm
(28 1/8 x 4 3/8")

Finish

Part#

A Anthracite Grey	041-VGLQ734-AG
B Champagne/Maple	041-VGLQ734-VCH
C Chrome/White	041-VGLQ734-C

2b Baskets 815mm (32") diameter, set of 2 including Fast-Block fittings

Ø x H
815 x 111mm
(32 1/8 x 4 3/8")

Finish

Part#

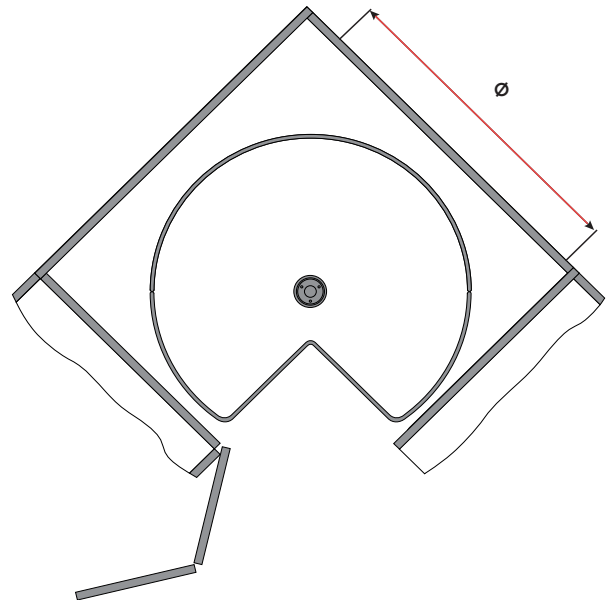
A Anthracite Grey	041-VGLQ834-AG
B Champagne/Maple	041-VGLQ834-VCH
C Chrome/White	041-VGLQ834-C

Planning

Minimum Interior Cabinet Dimensions mm/inch

2a Ø x H 715 x 645 - 720mm (28 1/8 x 25 3/8 - 28 3/8")

2b Ø x H 815 x 645 - 720mm (32 1/8 x 25 3/8 - 28 3/8")



PRODUCT FEATURES

Vibo's high-quality round shaped Lazy Susan in the new anthracite grey finish is subtly attractive, durable, and easy to clean.

- Ideal for 45 degree corner cabinets
- Available in 3 diameter sizes: 450mm, 715mm and 815mm (18", 28" and 32")
- Anti-slip wood melamine bottom which is TSCA Title VI compliant
- Load Capacity: 17kg (37lbs) per shelf for 18/28" size
- Load Capacity: 21kg (46lbs) per shelf for 32" size



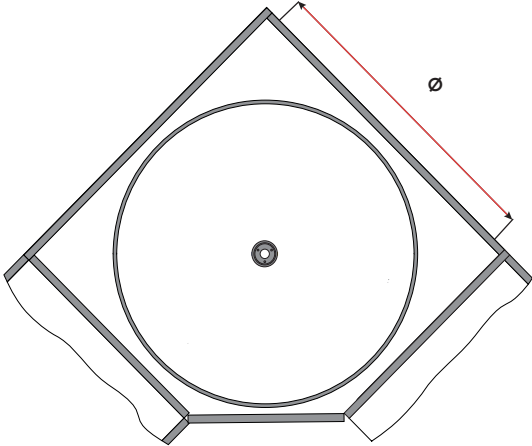
Anthracite Grey,
Dark Grey Melamine



Planning

Minimum Interior Cabinet Dimensions mm/inch

- A** Ø x H 450 x 645 - 720mm (17 ¾ x 25 ¾ - 28 ¾")
- B** Ø x H 715 x 645 - 720mm (28 ½ x 25 ¾ - 28 ¾")
- C** Ø x H 815 x 645 - 720mm (32 ¼ x 25 ¾ - 28 ¾")



Order Information

1 Adjustable Height Metal Post, Chrome	Height Adjustment 645 - 720mm (25 ¾ - 28 ¾")
Part#	
041-VSQT5002C	



2 Baskets Anthracite, set of 2 including Fast-Block fittings	
Ø x H Ø x 111mm (Ø x 4 ¾")	
Diameter Ø	Part#
A 450mm (17 ¾")	041-VGLR450-AG
B 715mm (28 ½")	041-VGLR700-AG
C 815mm (32 ¼")	041-VGLR800-AG



Galaxy Smart Corner



PRODUCT FEATURES

The Smart Corner pullout is a highly effective way to maximize the storage ability of a blind corner. Match the impressive design of the Galaxy collection with the new contemporary Anthracite Grey finish.

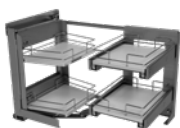
- For 900mm (36") blind corners with a 450mm (18") door
- Soft-Close on door close and on internal full-extension baskets
- Order for left or right direction opening
- Anti-slip wood melamine bottom which is TSCA Title VI compliant
- Load capacity: Inner: 20kg (44lbs) Door: 10kg (22lbs)



Anthracite Grey,
Dark Grey Melamine

Order Information

1 Complete Kit, Left Open

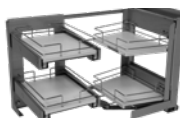


W x H x D
849 x 586 x 489mm
(33 1/8 x 23 1/8 x 19 1/4")

Part#

041-VGSCCL-AG

2 Complete Kit, Right Open



W x H x D
849 x 586 x 489mm
(33 1/8 x 23 1/8 x 19 1/4")

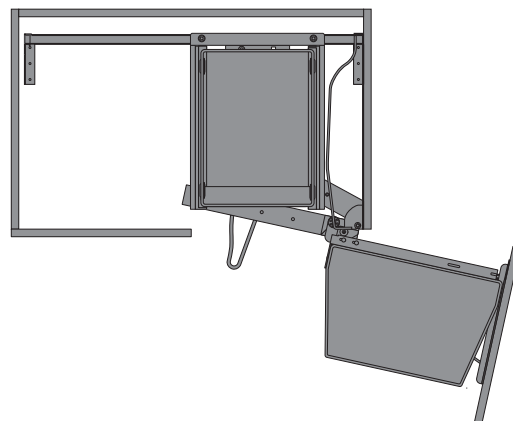
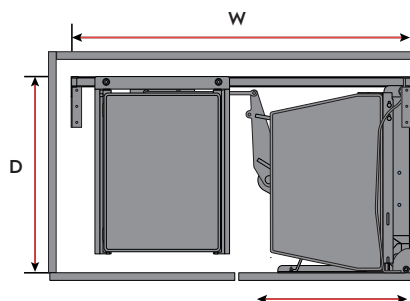
Part#

041-VGSCRR-AG

Planning

Minimum Interior Cabinet Dimensions mm/inch

W x H x D 849 x 586 x 489mm (33 1/8 x 23 1/8 x 19 1/4")
Minimum Door Opening: 432mm (17")

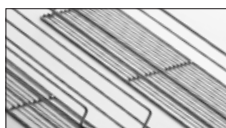


*Right Open Version Shown

PRODUCT FEATURES

The Smart Corner by Vibo Italy is a premium blind corner pullout. Both door and inner baskets feature soft-close.

- For 900mm (36") blind corners with a 450mm (18") door
- Soft-Close on door close and on internal full-extension baskets
- Order for left or right direction opening
- Load capacity: Inner: 20kg (44lbs) Door: 10kg (22lbs)



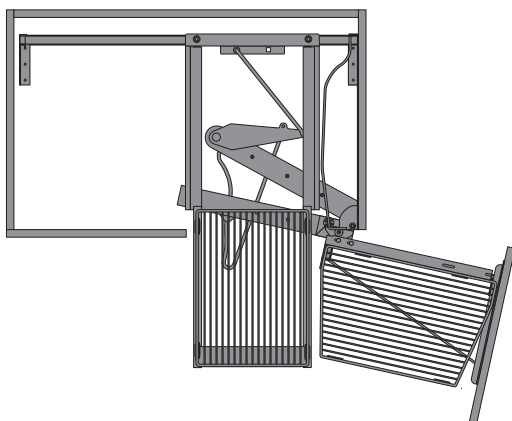
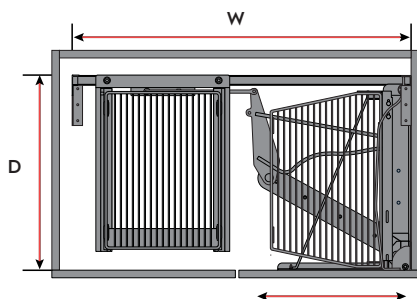
Chrome Wire



Planning

Minimum Interior Cabinet Dimensions mm/inch

W x H x D 849 x 586 x 489mm (33 7/16 x 23 1/8 x 19 1/4")
 Minimum Door Opening: 432mm (17")



*Right Open Version Shown

Order Information

1 Complete Kit, Left Open

W x H x D
 849 x 586 x 489mm
 (33 7/16 x 23 1/8 x 19 1/4")

Part#

041-VSCL



2 Complete Kit, Right Open

W x H x D
 849 x 586 x 489mm
 (33 7/16 x 23 1/8 x 19 1/4")

Part#

041-VSCR



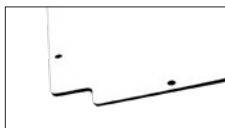
Magic Corner with Reversible Bottom



PRODUCT FEATURES

This updated Magic Corner with soft-close, features an innovative reversible compact board bottom with two colour options: Arctic White and Anthracite Grey and complimentary chrome wire.

- Suits 450mm (18") door in 900mm (36") blind corner.
- Sold as a complete set, all baskets included
- Reversible compact board bottom baskets with two choices for bottom colour: Arctic White and Anthracite Grey
- Adjustable width frame
- Universal installation left or right opening
- Soft-close door
- Load capacity: Inner: 15kg (33lbs) Door: 8kg (18lbs)



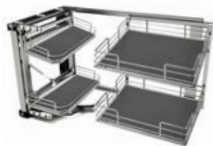
Reversible Bottom,
Arctic White



Reversible Bottom,
Anthracite Grey

Order Information

- 1 Magic Corner Reversible Bottom Kit, Universal for Left and Right



W x H x D
860 - 968 x 537 x 513
(33 7/8 - 38 1/8 x 21 1/8 x 20 3/16")

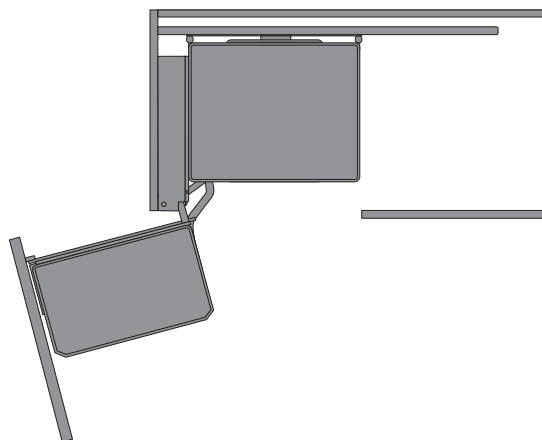
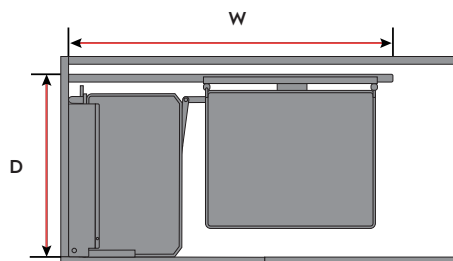
Part#

041-MH111-GW

Planning

Minimum Interior Cabinet Dimensions mm/inch

W x H x D 860 - 968 x 537 x 513mm (33 7/8 - 38 1/8 x 21 1/8 x 20 3/16")

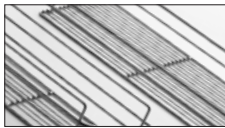


*Left Open Shown. Product is Universal.

PRODUCT FEATURES

A classic chrome wire Magic Corner storage pullout featuring soft-close door. The adjustable width frame that is also universal for both directions, make this best-selling corner storage solution an excellent choice for any project.

- Suits 450mm (18") door in 900mm (36") blind corner.
- Sold as a complete set, all baskets included
- Attractive chrome wire baskets
- Adjustable width frame
- Universal for left or right opening
- Soft-close door
- Load capacity: Inner: 15kg (33lbs) Door: 8kg (18lbs)



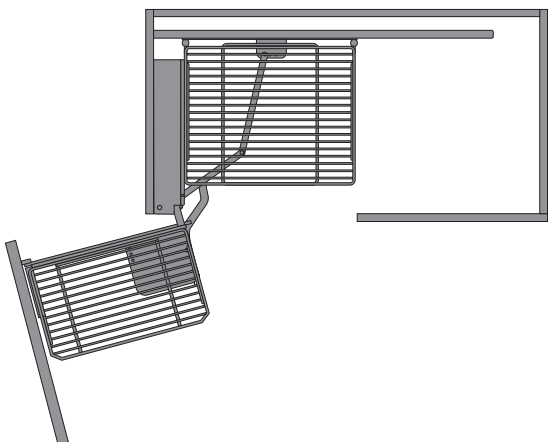
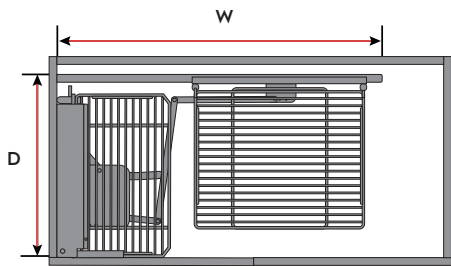
Chrome Wire



Planning

Minimum Interior Cabinet Dimensions mm/inch

W x H x D 860 - 968 x 537 x 513mm (33 7/8 - 38 1/8 x 21 1/8 x 20 3/16")



*Left Open Shown. Product is Universal.

Order Information

- 1 Magic Corner Chrome Wire Kit, Universal for Left and Right Open

W x H x D
860 - 968 x 537 x 513
(33 7/8 - 38 1/8 x 21 1/8 x 20 3/16")

Part#

041-MH111B



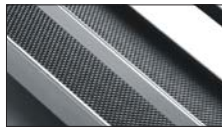
Magic Corner



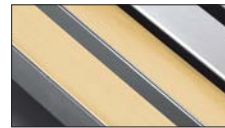
PRODUCT FEATURES

The Magic Corner storage system enables easy access to your difficult corner cabinets. Attractively finished colour options match any decor.

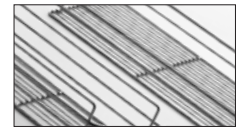
- Suits 450mm (18") door in 900mm (36") blind corner.
- Order for left or right opening. Not universal.
- Soft-close door
- Load capacity: 25kg (55lbs). Inner: 15kg (33lbs) Door: 10kg (22lbs)



A Diamond Series,
Chrome Finish



B Hardrock Maple,
Chrome Finish



C Chrome Wire

Order Information

1 Complete Kit for 18" Door, Left Side Opening



W x H x D
860 x 620 - 750 x 510mm
(33 7/8 x 24 7/8 - 29 1/2 x 20 1/8")

Basket Style	Part#
A Diamond Series	041-101035-D
B Hardrock Maple	041-101035-MW
C Chrome Wire	041-101005-I

2 Complete Kit for 18" Door, Right Side Opening



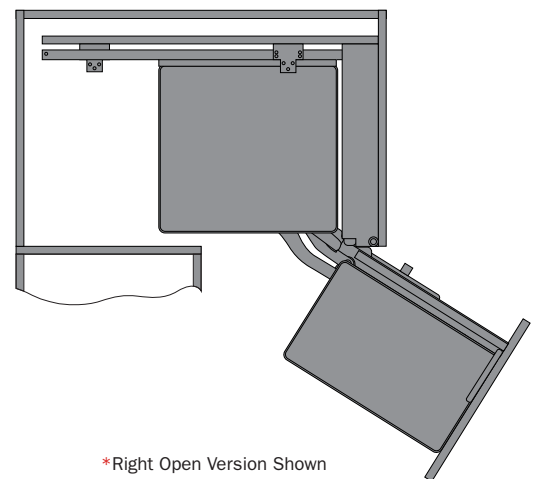
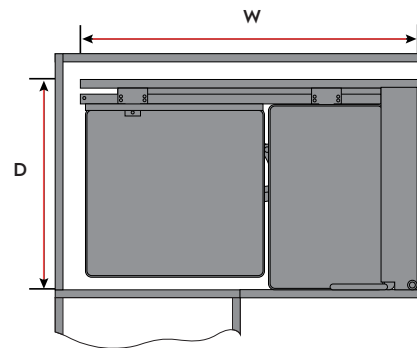
W x H x D
860 x 620 - 750 x 510mm
(33 7/8 x 24 7/8 - 29 1/2 x 20 1/8")

Basket Style	Part#
A Diamond Series	041-101036-D
B Hardrock Maple	041-101036-MW
C Chrome Wire	041-101006-I

Planning

Minimum Interior Cabinet Dimensions mm/inch

W x H x D 860 x 620 - 750 x 510mm (33 7/8 x 24 7/8 - 29 1/2 x 20 1/8")



*Right Open Version Shown

PRODUCT FEATURES

The Corner Pullout provides two-way, soft-closing sliding baskets so both sections can be pulled out completely for full access. Universal installation to either left or right side open. Excellent for projects with small space constraints.

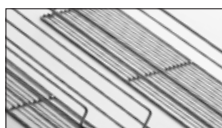
- Designed for 450mm (18") cabinet doors in 800mm (32") blind corners
- Universal mounting for left or right-side openings
- For hinged door applications
- Soft-close included
- Load capacity: 20kg (44lbs)



A Diamond Series, Chrome Finish



B Hardrock Maple, Chrome Finish



C Chrome Wire

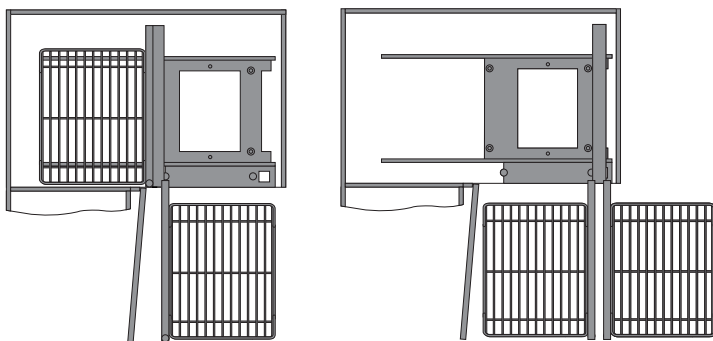
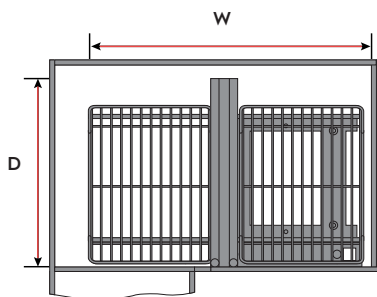


Planning

Minimum Interior Cabinet Dimensions mm/inch

W x H x D 660 x 595 x 500mm (26 x 23 7/8 x 19 1/8")

Minimum Door Opening: 394mm (15 1/2")



Order Information

1 Complete Kit, for Universal Left or Right Opening

W x H x D
660 x 595 x 500mm
(26 x 23 7/8 x 19 1/8")

Basket Style	Part#
A Diamond Series	041-101125-D
B Hardrock Maple	041-101125-MW
C Chrome Wire	041-101011-I



*Right Open Shown. Product is Universal.

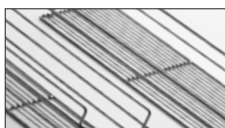
Super Susan



PRODUCT FEATURES

The Super Susan is a revolving basket storage option for your kidney-shaped pie-corner cabinets with chrome finish pullout trays.

- Ideal for 90 degree pie-corner cabinets
- Recommended corner cabinet size: 940mm x 940mm (37" x 37")
- Multi-levels of storage available
- Three height levels, with total of 12 baskets
- Centre front and back both offer 3-tiers of pullout baskets
- Load Capacity: 48kg (105lbs), or 4kg (9lbs) basket



Chrome Wire

Order Information

1 Complete Kit for Pie-Corner Cabinets



Ø x H
800 x 650 - 750mm
(31 ½ x 25 ¾ - 29 ½")

Part#

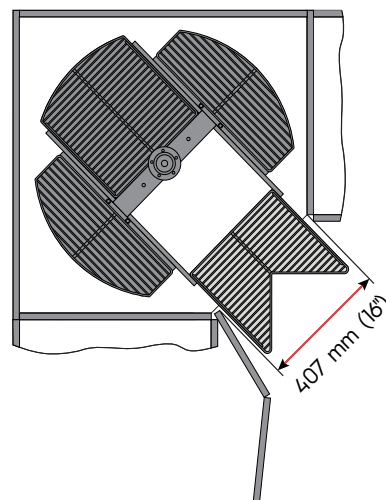
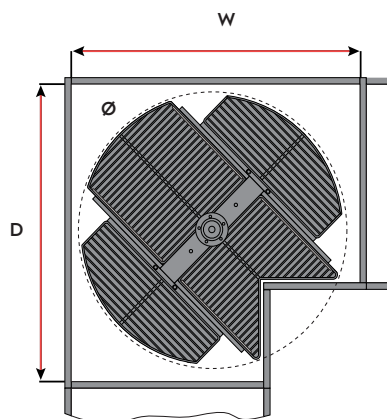
041-102001-M

Planning

Minimum Interior Cabinet Dimensions mm/inch

W x H x D 908 x 650 - 750 x 908mm (35 ¾ x 25 ¾ - 29 ½ x 35 ¾")

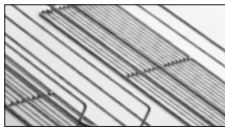
Minimum Door Opening: 407mm (16")



PRODUCT FEATURES

The Lazy Susan's two levels of rotating high-quality steel shelves with a chrome finish utilize all the unused space in your corner cabinet.

- Ideal for 90 degree pie-corner cabinets
- Suitable for 28 inch (711mm) Lazy Susan corners
- Durable steel construction
- Complete kit includes pole and 2 shelves
- Load capacity: 20kg (44lbs) per shelf



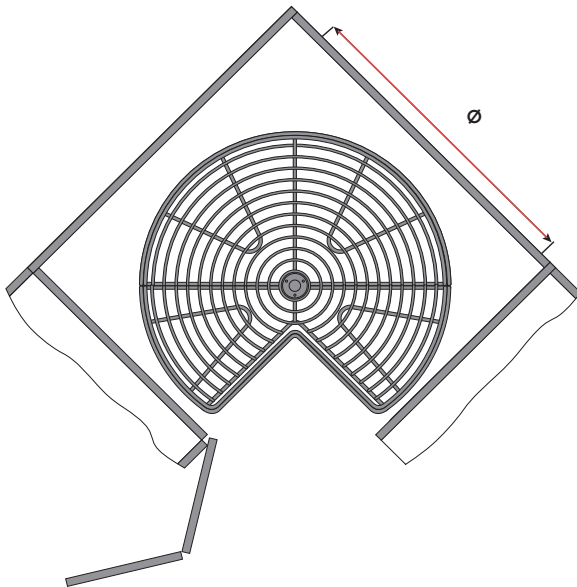
Chrome Wire



Planning

Minimum Interior Cabinet Dimensions mm/inch

Ø x H 700 x 620 - 780mm (27 5/8 x 24 3/8 - 30 1/8")



Order Information

1 Complete Kit, Pole and Two Baskets

Ø x H
700 x 620 - 780mm
(27 5/8 x 24 3/8 - 30 1/8")

Part#

041-MG170



Plastic Lazy Susans, Round



PRODUCT FEATURES

The full round circle Lazy Susan is lightweight, durable, and easy to clean, making it an ideal, low cost corner storage solution.

- Ideal for 45-degree corner cabinets
- Available in multiple diameters
- Durable white plastic with chrome finish steel pole
- Telescoping pole is height adjustable
- Independent adjustment of shelves
- Simultaneous swiveling of trays
- Load capacity: 16kg (35lbs) per shelf

Order Information

1 Complete Set, Telescoping Pole and 2 Round Shelves



Adjustable Height
533 - 838mm
(21 - 33")

Ø Diameter	Part#
457mm (18")	04-1500
508mm (20")	04-1505
610mm (24")	04-1509
711mm (28")	04-1522
813mm (32")	04-1526

2 Bulk Pack, 10 Complete Sets/Box, sold complete



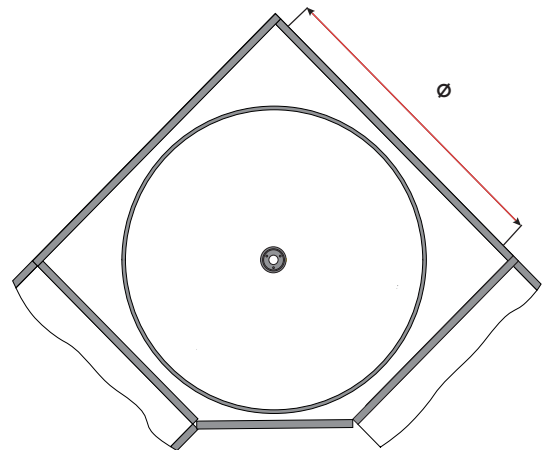
Adjustable Height
533 - 838mm
(21 - 33")

Ø Diameter	Part#
711mm (28")	04-1523

Planning

Minimum Interior Cabinet Dimensions mm/inch

Ø x H Ø x 533 - 838xmm (Ø x 21 - 33")



PRODUCT FEATURES

The plastic kidney shaped Lazy Susan is lightweight, durable, and easy to clean, making it an ideal, low cost corner storage solution.

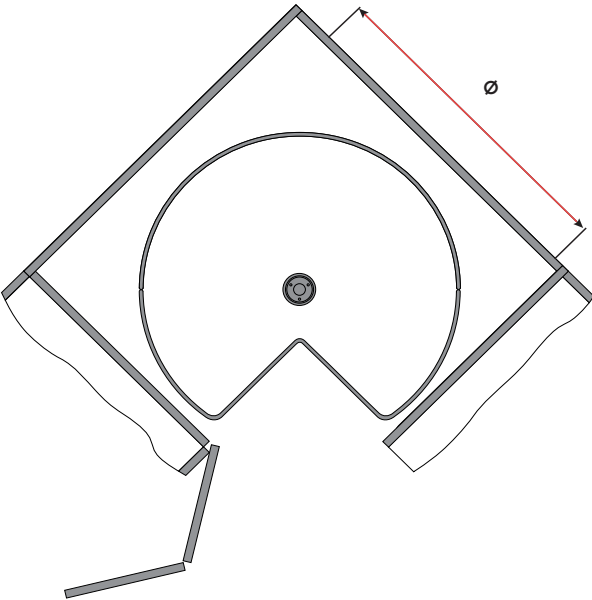
- Ideal for 90-degree pie-corner cabinets
- Available in multiple diameters
- Durable white plastic with chrome finish steel pole
- Telescoping pole is height adjustable
- Independent adjustment of shelves
- Simultaneous swiveling of trays
- Load capacity: 16kg (35lbs) per shelf



Planning

Minimum Interior Cabinet Dimensions mm/inch

Ø x H Ø x 533 - 838mm (Ø x 21 - 33")



Order Information

1 Complete Set, Telescoping Pole and 2 Kidney Shelves

Adjustable Height 533 - 838mm (21 - 33")	
Ø Diameter	Part#
610mm (24")	04-1511
711mm (28")	04-1520
813mm (32")	04-1529



2 Bulk Pack, 10 Complete Sets/Box, sold complete

Adjustable Height 533 - 838mm (21 - 33")	
Ø Diameter	Part#
711mm (28")	04-1521





Blend designer aesthetics with superb functionality and create the perfect kitchen.

Create easy access to stored goods and a contemporary look with any one of our tall pantry pullouts.

From dual swing-outs to narrow broom fillers, there are many storage solutions to choose from.



PANTRY



LEAD SICKS
SEEDS
FOR SNACKING OR AS AN ACCOMPANIMENT
WITH YOUR FAVOURITE PESTO.
Nicolas Vahé

LEAD SICKS
SEEDS
FOR SNACKING OR AS AN ACCOMPANIMENT
WITH YOUR FAVOURITE PESTO.
Nicolas Vahé

GLOGG
WHITE
WE RECOMMEND: MIX THE ESTABLISHED
1-2 BOTTLES OF WHITE WINE IN A SAUCE
PAN AND HEAT SLOWLY FOR 10 MINUTES.
ADD CHOPPED ALMONDS AND BAKED
Nicolas Vahé

HONEY
WITH HAZELNUTS
WE RECOMMEND: EXCELLENT WITH
WITH AGED CHEESE, TOASTED
ICE CREAM AND FRUIT SALAD.
Nicolas Vahé

S
COFFEE SIRUP
CARAMEL
WE RECOMMEND: ADD THIS TO
TO ANYTHING FROM COFFEE
MILKSHAKE, SMOOTHIES AND
Nicolas Vahé

S

WHOLE GRAIN SNACKS
MIXED SEEDS
WE RECOMMEND: ENJOY WITH CEREAL,
FRUIT AND YOGURT.
Nicolas Vahé

Galaxy Straight Pantry Pullout



PRODUCT FEATURES

The Vibo Galaxy Straight Pantry Pullout is a high capacity storage solution for tall pantry cabinets. The new anthracite grey finish complements the high-end Italian design and manufacturing of this product. Adjustable height frame mounts securely to the top and bottom of your cabinet.

- Four different adjustable height frames
- Slide offers soft-close and full extension
- Door-mount Brackets include 6-way adjustment
- Optional basket adaptor is to add extra basket at top of frame
- Anti-slip wood melamine bottom which is TSCA Title VI compliant
- Load capacity: 120kg (265lbs)



Anthracite Grey,
Dark Grey Melamine

Order Information

1 Adjustable Height Frame + Slide



W x D
105 x 487mm
(1 3/8 x 19 1/8")

Height (H)	Part#
A 1060-1500mm (41 3/4 - 59 1/8")	041-VGSF1205-AG
B 1460-1900mm (57 1/2 - 74 13/16")	041-VGSF1605-AG
C 1760-2200mm (69 5/8 - 86 3/8")	041-VGSF1905-AG
D 1960-2400mm (77 3/8 - 94 1/2")	041-VGSF2105-AG

2 Galaxy Baskets Anthracite, sold per each w/ clip-on fittings



H x D
93 x 412mm
(3 1/8 x 16 1/4")

Cabinet Width CW	Basket Width	Part#
150mm (6")	96mm (3 3/4")	041-VGBF90-AG
300mm (12")	246mm (9 3/4")	041-VGBF240-AG
400mm (16")	346mm (13 5/8")	041-VGBF340-AG
450mm (18")	396mm (15 5/8")	041-VGBF390-AG
500mm (20")	446mm (17 1/2")	041-VGBF440-AG
600mm (24")	546mm (21 1/2")	041-VGBF540-AG

3 Door Mounting Bracket, sold per each. 3 per door recommended.



Cabinet Width CW	Door Bracket Width BW	Part#
150mm (6")	100mm (4")	041-VGBR100-AG
300mm (12")	250mm (9 13/16")	041-VGBR250-AG
400mm (16")	350mm (13 3/4")	041-VGBR350-AG
450mm (18")	400mm (15 3/4")	041-VGBR400-AG
500mm (20")	450mm (17 3/4")	041-VGBR450-AG
600mm (24")	550mm (21 5/8")	041-VGBR550-AG

4 Basket Adaptor, optional mounts to telescoping frame section, set of 2

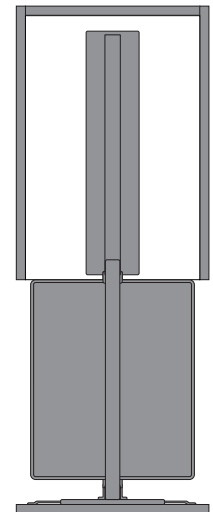
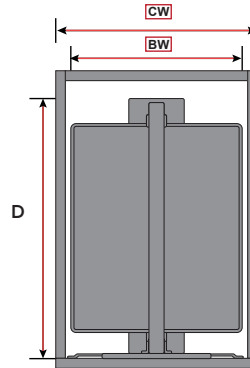


Part#
041-VGBA-AG

Planning

Minimum Interior Cabinet Dimensions mm/inch

- A** W x H x D **BW** x 1060-1500 x 487mm (**BW** x 41 3/4 - 59 1/8 x 19 1/8")
- B** W x H x D **BW** x 1460-1900 x 487mm (**BW** x 57 1/2 - 74 13/16 x 19 1/8")
- C** W x H x D **BW** x 1760-2200 x 487mm (**BW** x 69 5/8 - 86 3/8 x 19 1/8")
- D** W x H x D **BW** x 1960-2400 x 487mm (**BW** x 77 3/8 - 94 1/2 x 19 1/8")



PRODUCT FEATURES

The Vibo Galaxy Tall Filler Pullout is a fixed 5-shelf storage solution for narrow cabinets. Now available in anthracite grey finish. Suits narrow 150mm or 6" cabinets with more than 1700mm (67") internal height clearance

- Runs on three left side-mounted full-extension, soft-close slides
- Concealed slides do not block storage access from either side
- Includes 3 door-mount brackets with 6-way adjustment
- Includes 4 snap-on bottle dividers
- Fixed height, non adjustable.
- Anti-slip wood melamine bottom which is TSCA Title VI compliant
- Load capacity: 60kg (132lbs)



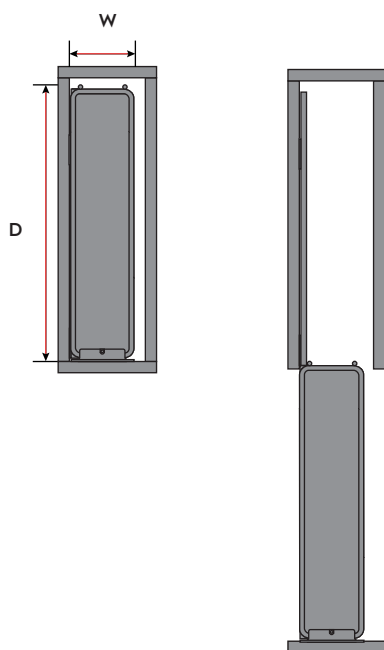
Anthracite Grey,
Dark Grey Melamine



Planning

Minimum Interior Cabinet Dimensions mm/inch

W x H x D 107 x 1700 x 468mm (4 3/8 x 66 5/8 - 18 7/8")



Order Information

1 5-Shelf Pullout for 150mm (6") Cabinets, Anthracite Grey

W x H x D
107 x 1700 x 468mm
(4 3/8 x 66 5/8 x 18 7/8")

Part#

041-VGST15-AG



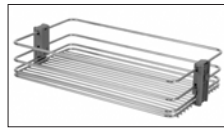
Pivoting Pantry Pullout



PRODUCT FEATURES

This pantry pullout features a unique pivoting slide that rotates 90 degrees in either direction at full opening. With two basket styles in a range of widths, this is a complete system for any sized pantry project.

- Soft-close with full-extension
- 90 degree pivot angle at full opening
- Multiple door widths supported
- Three adjustable frame heights
- Door brackets includes 6-way adjustment
- Baskets for 600mm (24in) cabinet widths will block rotation of frame
- Anti-slip wood melamine bottom baskets are TSCA Title VI compliant
- Load capacity: 100kg (220lbs)



4a Chrome Wire



4b Chrome Wire,
White Melamine

Order Information

1 Adjustable Height Frame, sold as frame only



W x D
30 x 484mm
(1 3/8 x 19 1/8")

Adjustable Height	Part#
A 949 - 1388mm (37 3/8 - 54 3/8")	041-VSF1204
B 1349 - 1788mm (53 1/8 - 70 3/8")	041-VSF1604
C 1649 - 2088mm (64 15/16 - 82 3/8")	041-VSF1904

2 Pivoting Slide, heavy duty slide with top track



H x D
250 x 500mm
(9 13/16 x 19 1/8")

Part#
041-VSP200

3 Door Mounting Bracket, sold per each. 3 per door recommended.

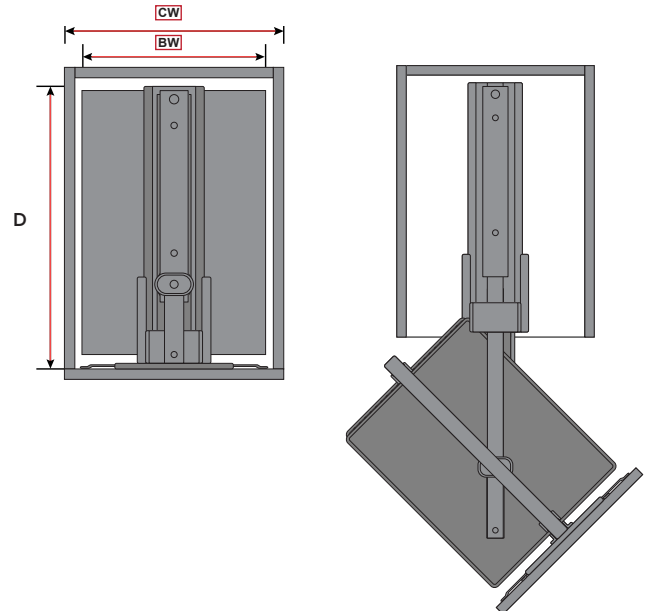


Cabinet Width CW	Door Bracket Width BW	Part#
300mm (12")	250mm (9 7/8")	041-VBR250
400mm (16")	350mm (13 7/8")	041-VBR350
450mm (18")	400mm (15 3/4")	041-VBR400
500mm (20")	450mm (17 3/4")	041-VBR450

Planning

Minimum Interior Cabinet Dimensions mm/inch

- A W x H x D BW x 1174 - 1613 x 500mm (BW x 46 1/4 - 63 1/2 x 19 1/8")
- B W x H x D BW x 1574 - 2013 x 500mm (BW x 62 - 79 1/4 x 19 1/8")
- C W x H x D BW x 1874 - 2313 x 500mm (BW x 73 3/4 - 91 1/8 x 19 1/8")



PRODUCT FEATURES

This pantry pullout features a unique pivoting slide that rotates 90 degrees in either direction at full opening. With two basket styles in a range of widths, this is a complete system for any sized pantry project.

- Soft-close with full-extension
- 90 degree pivot angle at full opening
- Multiple door widths supported
- Three adjustable frame heights
- Door brackets includes 6-way adjustment
- Baskets for 600mm (24in) cabinet widths will block rotation of frame
- Anti-slip wood melamine bottom baskets are TSCA Title VI compliant
- Load capacity: 100kg (220lbs)



4a Chrome Wire



4b Chrome Wire,
White Melamine



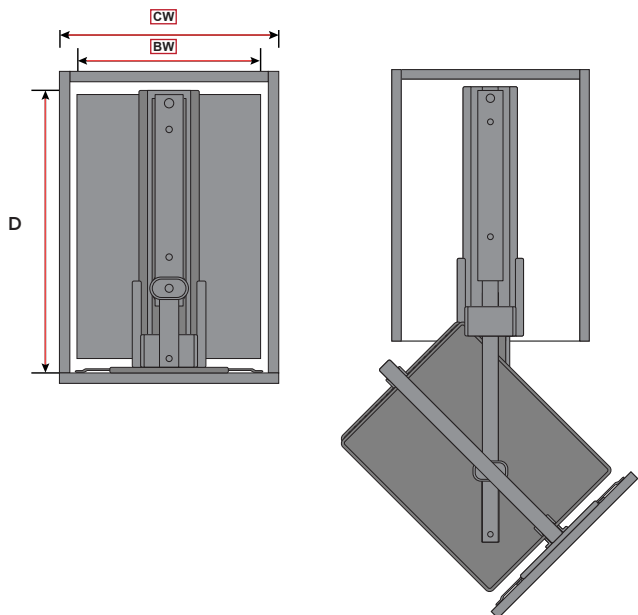
Planning

Minimum Interior Cabinet Dimensions mm/inch

A W x H x D **BW** x 1174 - 1613 x 500mm (**BW** x 46 1/4 - 63 1/2 x 19 1/8")

B W x H x D **BW** x 1574 - 2013 x 500mm (**BW** x 62 - 79 1/4 x 19 1/8")

C W x H x D **BW** x 1874 - 2313 x 500mm (**BW** x 73 3/4 - 91 1/8 x 19 1/8")

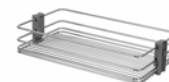


Order Information

4a Chrome Wire Baskets, sold per each with clip on fittings

H x D
93 x 412mm
(3 1/8" x 16 1/2")

Cabinet Width CW	Basket Width	Part#
300mm (12")	246mm (9 1/8")	041-VB240C
400mm (16")	346mm (13 5/8")	041-VB340C
450mm (18")	396mm (15 5/8")	041-VB390C
500mm (20")	446mm (17 5/8")	041-VB440C



4b Chrome Wire Anti-Slip White Bottom, sold per each w/ clip-on fittings

H x D
93 x 412mm
(3 1/8" x 16 1/2")

Cabinet Width CW	Basket Width	Part#
300mm (12")	245mm (9 1/8")	041-VB240-AS
400mm (16")	345mm (13 5/8")	041-VB340-AS
450mm (18")	395mm (15 5/8")	041-VB390-AS
500mm (20")	445mm (17 5/8")	041-VB440-AS



5 Basket Adaptor, optional mounts to telescoping part of frame, set of 2

Part#
041-VBA



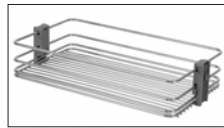
Straight Pantry Pullout



PRODUCT FEATURES

This pantry pullout by Vibo is available in two basket styles in a range of heights and widths. Featuring full-extension and soft-close slides, this is a complete system for any size pantry project.

- Soft-close with full-extension
- Two basket styles
- Multiple basket widths support different cabinet widths
- Adjustable height frames suit a wide range of tall cabinets
- Door brackets includes 6-way adjustment
- Anti-slip wood melamine bottom baskets are TSCA Title VI compliant
- Load capacity: 120kg (265lbs)



3a Chrome Wire



3b Chrome Wire,
White Melamine

Order Information

1 Adjustable Height Frame and Slide



W x D
30 x 487mm
(1 3/8 x 19 3/8")

	Height	Part#
A	1060 - 1460mm (41 3/4 - 57 1/2")	041-VSF1204-GCFTM
B	1460 - 1860mm (57 1/2 - 73 1/4")	041-VSF1604-GCFTM
C	1760 - 2160mm (69 3/8 - 85 1/8")	041-VSF1904-GCFTM

2 Door Mounting Bracket, sold per each. 3 per door recommended.

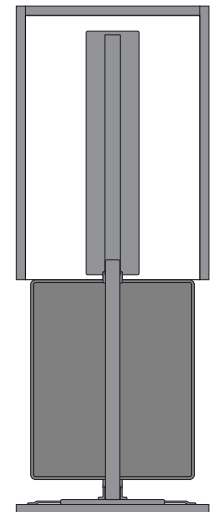
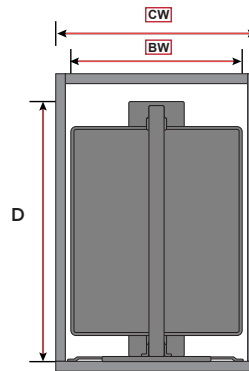


Cabinet Width CW	Door Bracket Width BW	Part#
300mm (12")	250mm (9 7/8")	041-VBR250
400mm (16")	350mm (13 3/8")	041-VBR350
450mm (18")	400mm (15 3/4")	041-VBR400
500mm (20")	450mm (17 3/4")	041-VBR450
600mm (24")	550mm (21 5/8")	041-VBR550

Planning

Minimum Interior Cabinet Dimensions mm/inch

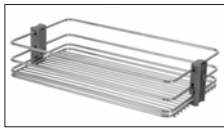
- A** W x H x D **BW** x 1060 - 1460 x 487mm (**BW** x 41 3/4 - 57 1/2 x 19 3/8")
- B** W x H x D **BW** x 1460 - 1860 x 487mm (**BW** x 57 1/2 - 73 1/4 x 19 3/8")
- C** W x H x D **BW** x 1760 - 2160 x 487mm (**BW** x 69 3/8 - 85 1/8 x 19 3/8")



PRODUCT FEATURES

This pantry pullout by Vibo is available in two basket styles in a range of heights and widths. Featuring full-extension and soft-close slides, this is a complete system for any sized pantry project.

- Soft-close with full-extension
- Two basket styles
- Multiple widths available
- Adjustable height frames suit a wide range of tall cabinets
- Door brackets includes 6-way adjustment
- Anti-slip wood melamine bottom baskets are TSCA Title VI compliant
- Load capacity: 120kg (265lbs)



3a Chrome Wire



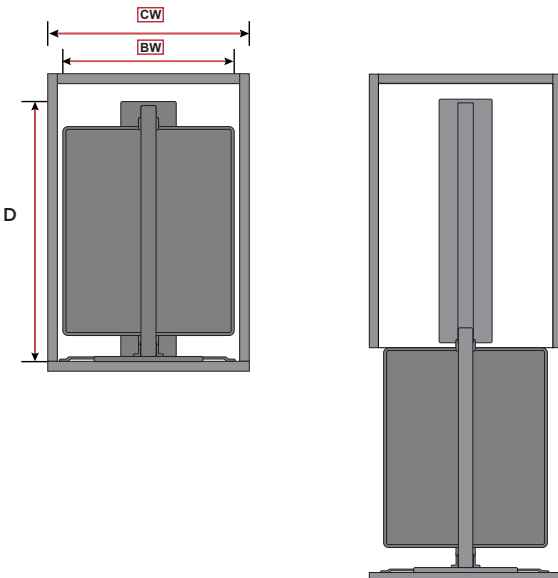
3b Chrome Wire,
White Melamine



Planning

Minimum Interior Cabinet Dimensions mm/inch

- A** W x H x D **BW** x 1060 - 1460 x 487mm (**BW** x 41 3/4 - 57 1/2 x 19 1/8")
- B** W x H x D **BW** x 1460 - 1860 x 487mm (**BW** x 57 1/2 - 73 3/4 x 19 1/8")
- C** W x H x D **BW** x 1760 - 2160 x 487mm (**BW** x 69 5/8 - 85 1/8 x 19 1/8")



Order Information

3a Chrome Wire Baskets, sold per each with clip on fittings

Cabinet Width CW	Basket Width	Part#	H x D 93 x 412mm (3 1/8" x 16 1/2")
300mm (12")	246mm (9 1/8")	041-VB240C	
400mm (16")	346mm (13 5/8")	041-VB340C	
450mm (18")	396mm (15 5/8")	041-VB390C	
500mm (20")	446mm (17 5/8")	041-VB440C	
600mm (24")	546mm (21 1/2")	041-VB540C	

3b Chrome Wire Anti-Slip White Bottom, sold per each w/ clip-on fittings

Cabinet Width CW	Basket Width	Part#	H x D 93 x 412mm (3 1/8" x 16 1/2")
300mm (12")	245mm (9 1/8")	041-VB240-AS	
400mm (16")	345mm (13 5/8")	041-VB340-AS	
450mm (18")	395mm (15 5/8")	041-VB390-AS	
500mm (20")	445mm (17 5/8")	041-VB440-AS	
600mm (24")	545mm (21 1/2")	041-VB540-AS	

4 Basket Adaptor, optional mounts to telescoping part of frame, set of 2

Part#
041-VBA



Wire Narrow 5-Shelf Filler



PRODUCT FEATURES

Excellent narrow filler for tall narrow 150mm (6") cabinets with chrome wire finish. This pullout from Vibo Italy includes five shelves. Perfect for bottles or dry goods.

- Runs on 3 side-mounted, full-extension, soft-close slides
- Concealed slides do allow full access from either side
- Order for Left or Right side mounting as per installation
- Includes 3 door-mounted brackets with 6-way adjustment
- Includes 4 snap-on bottle dividers
- Fixed height, non adjustable
- Load Capacity: 60kg (132lbs)



Chrome Wire

Order Information

1 Complete Kit, Left Side Mount



W x H x D
107 x 1700 x 469mm
(4 1/8 x 66 1/8 x 18 3/8")

Part#

041-VFPO-15L

2 Complete Kit, Right Side Mount



W x H x D
107 x 1700 x 469mm
(4 1/8 x 66 1/8 x 18 3/8")

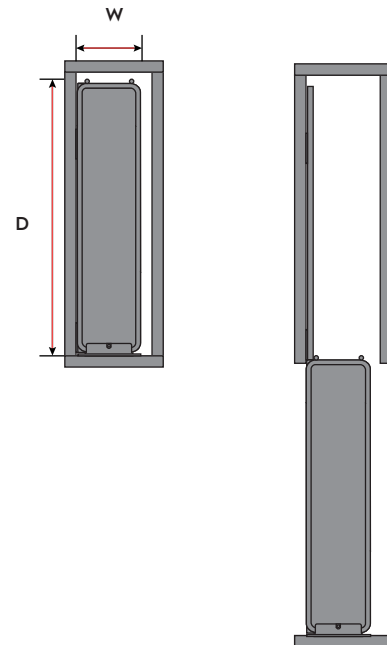
Part#

041-VFPO-15R

Planning

Minimum Interior Cabinet Dimensions mm/inch

W x H x D 107 x 1700 x 469mm (4 1/8 x 66 1/8 x 18 3/8")



*Left Side Mount Shown.

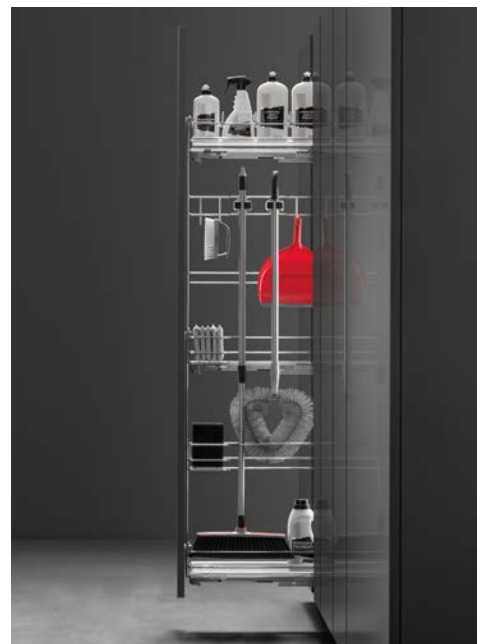
PRODUCT FEATURES

The design guru's favourite! Narrow broom storage pullout from Vibo Italy with chrome wire finish. Fits into a tall narrow 150mm (6") cabinet. Excellent for storage of cleaning supplies.

- Runs on 3 side-mounted, full-extension, soft-close slides
- Concealed slides do allow full access from either side
- Order for Left or Right side mounting as per installation
- Includes 3 door-mounted brackets with 6-way adjustment
- Perfect for storing cleaning products
- Includes: drip tray, hanging hooks, broom and mop clips
- Fixed height, non adjustable
- Load Capacity: 60kg (132lbs)



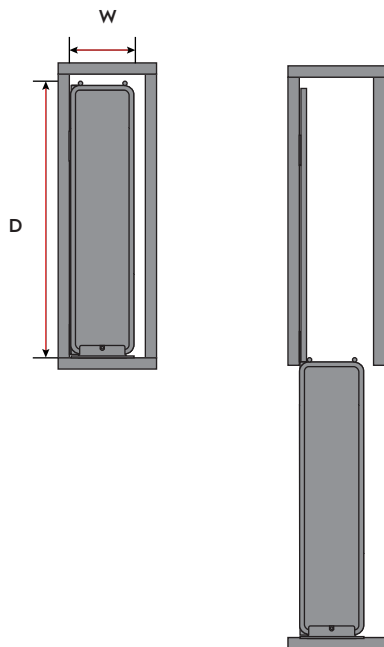
Chrome Wire



Planning

Minimum Interior Cabinet Dimensions mm/inch

W x H x D 107 x 1700 x 469mm (4 1/8" x 66 15/16" x 18 7/16")



Order Information

1 Complete Kit, Left Side Mount

W x H x D
107 x 1700 x 469mm
(4 1/8" x 66 15/16" x 18 7/16")

Part#

041-VFPOB-15L



2 Complete Kit, Right Side Mount

W x H x D
107 x 1700 x 469mm
(4 1/8" x 66 15/16" x 18 7/16")

Part#

041-VFPOB-15R



*Left Side Mount Shown.

Galaxy Maxi Pantry



PRODUCT FEATURES

The Maxi Pantry offers a solution for hinged cabinets where the baskets move out automatically when the door is opened. A new and improved mechanism now works with 110 or 120 degree hinges and stabilizes the motion with an attachment to the side of the cabinet.

- Frame is side and bottom mounted
- Two widths for 450mm (18") or 600mm (24") cabinets
- Dark Grey bottom baskets with attractive Anthracite wire
- Fixed height, non adjustable
- 120 degree hinges are best for full extension of baskets
- Anti-slip wood melamine bottom baskets are TSCA Title VI compliant
- Load capacity: 75kg (165lbs)



Anthracite Grey,
Dark Grey Melamine

Order Information

1 Maxi Pantry Frame and Slide, Anthracite Grey



W x H x D
403 or 553 x 1845 x 488mm
(15 7/8" or 21 3/4" x 72 5/8" x 19 3/16")

	Cabinet Width	Part#
A	450mm (18")	041-VGM1945-AG
B	600mm (24")	041-VGM1960-AG

2 Maxi Pantry Baskets, Anthracite Grey set of 5



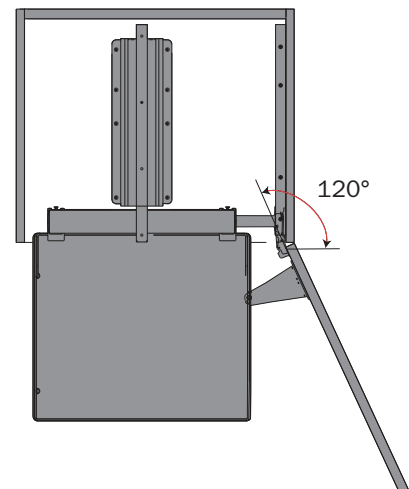
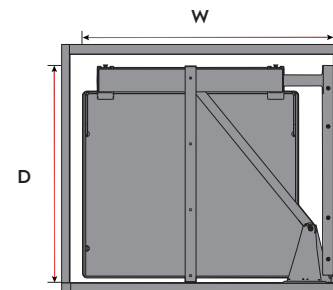
W x H x D
320 or 470 x 158 x 410mm
(12 5/8" or 18 1/2" x 6 1/4" x 16 1/8")

	Cabinet Width	Part#
A	450mm (18")	041-VGML450-AG
B	600mm (24")	041-VGML600-AG

Planning

Minimum Interior Cabinet Dimensions mm/inch

- A W x H x D 403 x 1845 x 488mm (15 7/8" x 72 5/8" x 19 3/16")
- B W x H x D 553 x 1845 x 488mm (21 3/4" x 72 5/8" x 19 3/16")



*Right Open Shown. Product is Universal.

PRODUCT FEATURES

The Maxi Pantry offers a solution for hinged cabinets where the baskets move out automatically when the door is opened. This allows for complete and easy access to the stored contents. This version requires wide angle hinges for full extension and uses the adjustable height frames which mount to top and bottom of cabinet.

- Frame is top and bottom mounted
- Designed for 450mm (18") cabinet
- White bottom baskets with attractive chrome wire
- Two adjustable height frames available
- Wide Angle hinges are required for full extension
- Anti-slip wood melamine bottom baskets are TSCA Title VI compliant
- Load capacity: 75kg (165lbs)



Chrome Finish,
White Melamine

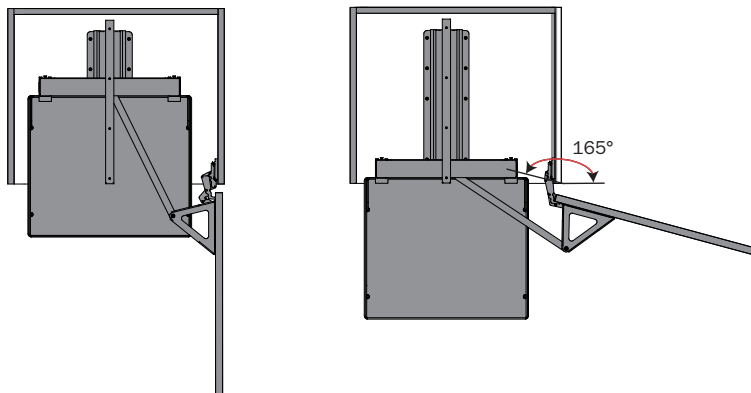
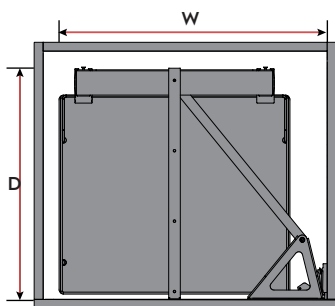


Planning

Minimum Interior Cabinet Dimensions mm/inch

A W x H x D 414 x 1570-1920 x 488mm (16 5/16 x 61 13/16 - 75 5/8 x 19 3/16")

B W x H x D 414 x 1920-2181 x 488mm (16 5/16 x 75 5/8 - 85 7/8 x 19 3/16")



*Right Open Shown. Product is Universal.

Order Information

1 Maxi Pantry Frame and Slide, Light Grey

W x D
328 x 480 mm
(12 7/8 x 18 3/4")

Adjustable Height Range (H)

Part#

A 1570 - 1920mm (61 13/16 - 75 5/8")

041-VML1645

B 1920 - 2181mm (75 5/8 - 85 7/8")

041-VML1945



2 Maxi Pantry Baskets, White Chrome sold per each, 5 or 6 recommended

W x H x D
320 x 158 x 410mm
(12 5/8 x 6 1/4 x 16 1/2")

Cabinet Width (W)

Part#

450mm (18")

041-VML450-AS



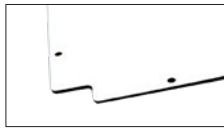
Straight Open Pantry



PRODUCT FEATURES

Straight Open Pantry storage solution available in different heights and widths to suit your cabinet design. This pantry storage product features our reversible compact board bottoms with two colour choices - arctic white and anthracite grey .

- Soft-close with full-extension
- Reversible two colour bottoms
- Two cabinet widths available: 300 or 400mm (12" or 16")
- Three adjustable heights supporting a wide range of installations
- Load capacity: 60kg (132lbs)



Reversible Compact Board, Arctic White



Reversible Compact Board, Anthracite Grey

Order Information

1 Short Frame with 4 Baskets



H x D
1289 - 1480 x 510mm
(50 ¾ - 58 ¼ x 20 ⅛")

Cabinet Width CW	Interior Width IW	Part#
300mm (12")	247mm (9 ¾")	041-HA131-GW
400mm (16")	340mm (13 ⅜")	041-HA141-GW

2 Medium Frame with 5 Baskets



H x D
1480 - 1670 x 510mm
(58 ¼ - 65 ¾ x 20 ⅛")

Cabinet Width CW	Interior Width IW	Part#
300mm (12")	247mm (9 ¾")	041-HB131-GW
400mm (16")	340mm (13 ⅜")	041-HB141-GW

3 Tall Frame with 6 Baskets



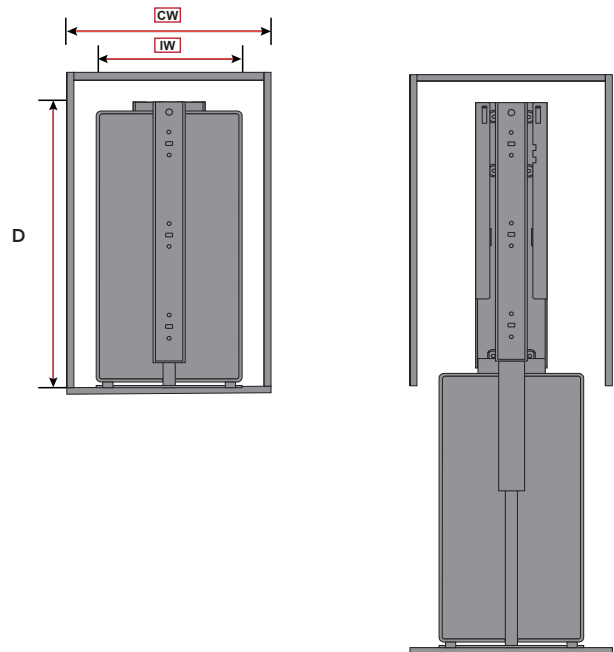
H x D
1870 - 2170 x 510mm
(73 ⅝ - 85 ⅞ x 20 ⅛")

Cabinet Width CW	Interior Width IW	Part#
300mm (12")	247mm (9 ¾")	041-HC131-GW
400mm (16")	340mm (13 ⅜")	041-HC141-GW

Planning

Minimum Interior Cabinet Dimensions mm/inch

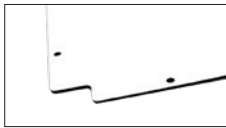
- 1 W x H x D **IW** x 1289 - 1480 x 510mm (**IW** x 50 ¾ - 58 ¼ x 20 ⅛")
- 2 W x H x D **IW** x 1480 - 1670 x 510mm (**IW** x 58 ¼ - 65 ¾ x 20 ⅛")
- 3 W x H x D **IW** x 1870 - 2170 x 510mm (**IW** x 73 ⅝ - 85 ⅞ x 20 ⅛")



PRODUCT FEATURES

Unique lateral opening door storage. Excellent for small kitchens where swinging doors may get in the way. This pantry storage product features our reversible compact board bottoms with two colour choices - arctic white and anthracite grey .

- Soft-open and soft-close
- Reversible two colour bottoms
- Two cabinet widths available: 450 or 600mm (18" or 24")
- Two adjustable heights available supporting a range of installations
- Load capacity: 40kg (88lbs)



Reversible Compact Board, Arctic White



Reversible Compact Board, Anthracite Grey



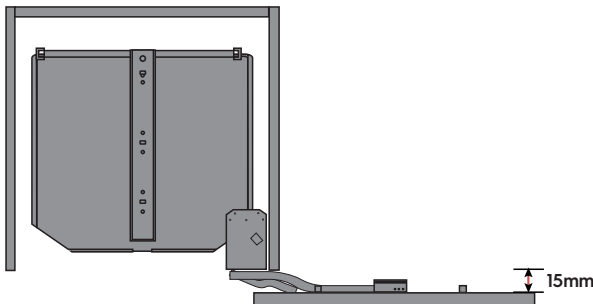
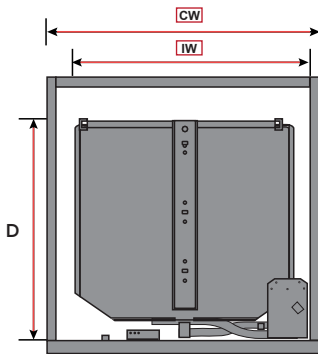
Planning

Minimum Interior Cabinet Dimensions mm/inch

1 W x H x D IW x 1225-1570 x 505mm (IW x 48 1/4 - 61 1/8 x 19 7/8")

2 W x H x D IW x 1964-2160 x 505mm (IW x 77 5/8 - 85 1/8 x 19 7/8")

Gap when Opened: 15mm (5/8")



Order Information

1 Short Frame with 4 Baskets

H x D
1225 - 1570 x 505mm
(48 1/4 - 61 1/8 x 19 7/8")

Cabinet Width CW	Interior Width IW	Part#
450mm (18")	410mm (16 1/8")	041-AE141-GW
600mm (24")	546mm (21 5/8")	041-AE161-GW



2 Tall Frame with 6 Baskets

H x D
1964 - 2160 x 505mm
(77 5/8 - 85 1/8 x 19 7/8")

Cabinet Width CW	Interior Width IW	Part#
450mm (18")	410mm (16 1/8")	041-AE142-GW
600mm (24")	546mm (21 5/8")	041-AE162-GW



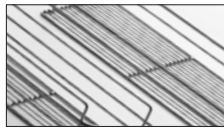
Straight Pantry Pullout



PRODUCT FEATURES

The Straight Pantry Pullout storage solution with chrome wire finish.

- Soft-Close with full-extension
- Chrome wire finish
- Two cabinet widths available: 300mm or 400mm (12" or 16")
- Three adjustable heights available covering a range from 1289 - 2170mm (50 - 85") heights
- Load capacity: 80kg (176lbs)



Chrome Wire

Order Information

1 Short Frame with 8 Baskets



H x D
1270 - 1570 x 510mm
(50 - 61 3/4 x 20 1/8")

Cabinet Width CW	Interior Width IW	Part#
300mm (12")	247mm (9 3/4")	041-HA131-G2
400mm (16")	340mm (13 3/8")	041-HA141-G2

2 Medium Frame with 10 Baskets



H x D
1570 - 1870 x 510mm
(61 3/4 - 73 3/8 x 20 1/8")

Cabinet Width CW	Interior Width IW	Part#
300mm (12")	247mm (9 3/4")	041-HB131-G2
400mm (16")	340mm (13 3/8")	041-HB141-G2

3 Tall Frame with 12 Baskets



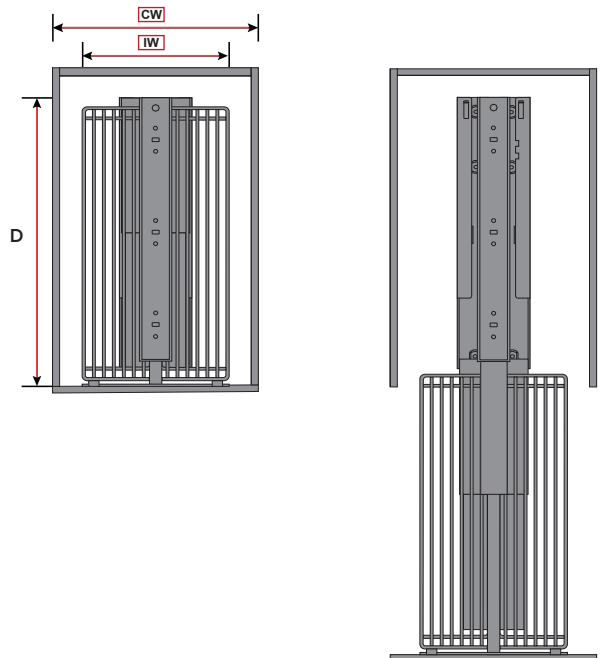
H x D
1870 - 2170 x 510mm
(73 3/8 - 85 3/8 x 20 1/8")

Cabinet Width CW	Interior Width IW	Part#
300mm (12")	247mm (9 3/4")	041-HC131-G2

Planning

Minimum Interior Cabinet Dimensions mm/inch

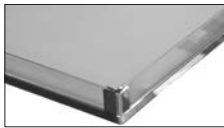
- 1 W x H x D IW x 1270 - 1570mm x 510 (IW x 50 - 61 3/4 x 20 1/8")
- 2 W x H x D IW x 1570 - 1870mm x 510 (IW x 61 3/4 - 73 3/8 x 20 1/8")
- 3 W x H x D IW x 1870 - 2170mm x 510 (IW x 73 3/8 - 85 3/8 x 20 1/8")



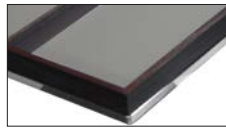
PRODUCT FEATURES

The Phantom Pantry is a dream combination of quality and functionality. Suitable for everyday kitchen use, the design of the pantry pullout offers an aesthetic you desire and the practicality to increase your usable space and improve the ease of accessing stored goods.

- Suitable for 500 or 600mm (20 or 24") wide cabinets
- Install cabinet door with 165 degree hinges
- Two basket styles available: Glass/Chrome or Walnut Wood
- Order total of 4, 5 or 6 baskets for short, medium or tall frames
- Anti-Slip Dark Grey Bottom Matting
- Load capacity: 70kg (154lbs)



2a Glass & Chrome,
Dark Grey



2b Walnut Wood,
Dark Grey



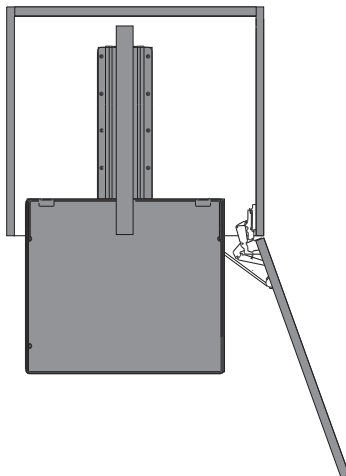
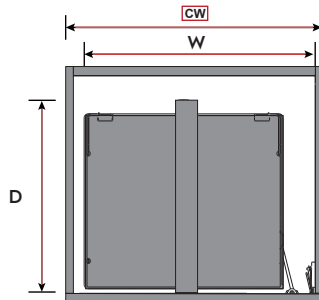
Planning

Minimum Interior Cabinet Dimensions mm/inch

W x H x D 468-568 x 1420-1720 x 535mm (18 3/8-22 3/8 x 55 1/8-67 3/4 x 21 1/8")

W x H x D 468-568 x 1720-2020 x 535mm (18 3/8-22 3/8 x 67 3/4-79 1/2 x 21 1/8")

W x H x D 468-568 x 2020-2320 x 535mm (18 3/8-22 3/8 x 79 1/2-91 5/8 x 21 1/8")



*Right Open Shown. Product is Universal.

Order Information

1 Phantom Pantry Frame & Slide, Adjustable Height

Adjustable Height Range (H)	Part#
1420 - 1720mm (55 1/8" - 67 3/4")	041-205105-1-3
1720 - 2020mm (67 3/4" - 79 1/2")	041-205106-1-3
2020 - 2320mm (79 1/2" - 91 5/8")	041-205107-1-3

D
535mm
(21 1/8")



2a Glass/Dark Grey Baskets, order 4, 5 or 6 total to fit your frame height

Cabinet Width CW	Basket Width	Box Qty	Part#
500mm (20")	380mm (14 1/8")	2	041-205106-2-2-GL
500mm (20")	380mm (14 1/8")	3	041-205106-2-3-GL
600mm (24")	480mm (18 7/8")	2	041-205116-2-2-GL
600mm (24")	480mm (18 7/8")	3	041-205116-2-3-GL

H x D
70 x 500mm
(2 3/4" x 19 1/8")



2b Walnut/White Baskets, order 4, 5 or 6 total to fit your frame height

Cabinet Width CW	Basket Width	Box Qty	Part#
500mm (20")	380mm (14 1/8")	2	041-205162-2-2-WL
500mm (20")	380mm (14 1/8")	3	041-205162-2-3-WL
600mm (24")	480mm (18 7/8")	2	041-205166-2-2-WL
600mm (24")	480mm (18 7/8")	3	041-205166-2-3-WL

H x D
70 x 500mm
(2 3/4" x 19 1/8")



Straight Pantry Pullout



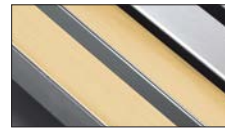
PRODUCT FEATURES

The Straight Pantry Pullout storage available in two modern finishes, extends fully out from your cabinet and closes gently with soft-close.

- Best suited for 400mm (16") cabinets
- Three adjustable heights available covering an internal cabinet height range from 1259 - 2359mm (50 - 93")
- Soft-close included
- Load capacity: 70kg (154lbs)



A Diamond Series,
Chrome Finish



B Hardrock Maple,
Chrome Finish

Order Information

1 Short Frame with 4 Baskets



W x H x D
350 x 1259 - 1659 x 500mm
(13 3/4" x 49 5/8" - 65 1/8" x 19 1/8")

Basket Finish	Part#
A Diamond Series	041-201124-D
B Hardrock Maple	041-201124-MW

2 Medium Frame with 5 Baskets



W x H x D
350 x 1659 - 2059 x 500mm
(13 3/4" x 65 5/8" - 81 1/8" x 19 1/8")

Basket Finish	Part#
A Diamond Series	041-201125-D
B Hardrock Maple	041-201125-MW

3 Tall Frame with 6 Baskets



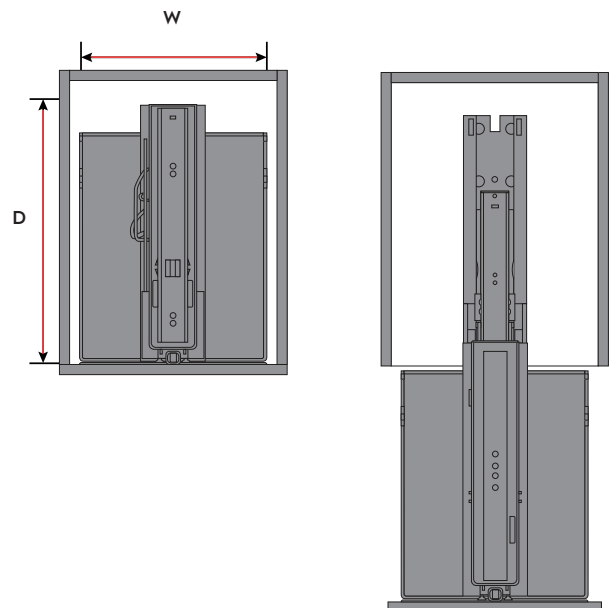
W x H x D
350 x 1959 - 2359 x 500mm
(13 3/4" x 78 3/8" - 92 7/8" x 19 1/8")

Basket Finish	Part#
A Diamond Series	041-201126-D
B Hardrock Maple	041-201126-MW

Planning

Minimum Interior Cabinet Dimensions mm/inch

- 1** W x H x D 350 x 1259 - 1659 x 500mm (13 3/4" x 49 5/8" - 65 1/8" x 19 1/8")
- 2** W x H x D 350 x 1659 - 2059 x 500mm (13 3/4" x 65 5/8" - 81 1/8" x 19 1/8")
- 3** W x H x D 350 x 1959 - 2359 x 500mm (13 3/4" x 78 3/8" - 92 7/8" x 19 1/8")



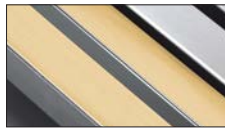
PRODUCT FEATURES

Our Pantry Swing Out system runs on dual sliding tracks. Various height and finish options available.

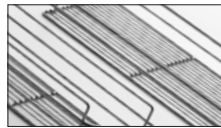
- Swing Out Door provides very easy access to your stored goods
- Universal mounting for a left or right opening
- Use 110 or 120 degree hinges on cabinet door
- Load capacity: Internal shelves 5kg (11lbs) Door shelves 3kg (6.5lbs)



A Diamond Series, Chrome Finish



B Hardrock Maple, Chrome Finish



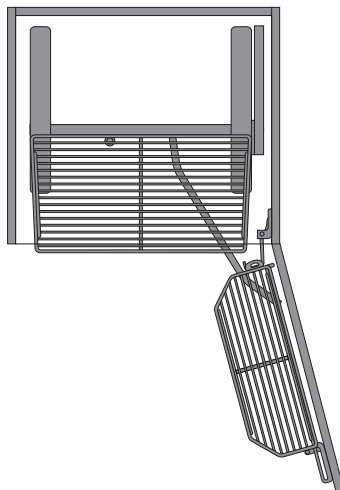
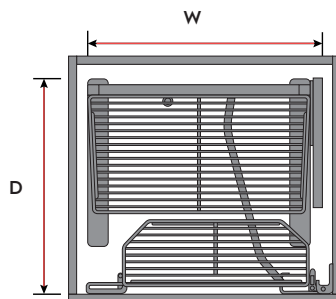
C Chrome Wire



Planning

Minimum Interior Cabinet Dimensions mm/inch

- 1** W x H x D 350 x 1320 x 500mm (13 3/4 x 52 x 19 1/8")
- 2** W x H x D 350 x 1620 x 500mm (13 3/4 x 63 3/4 x 19 1/8")
- 3** W x H x D 350 x 1820 x 500mm (13 3/4 x 71 5/8 x 19 1/8")



*Right Open Shown. Product is Universal.

Order Information

1 Short Frame Kit With 4 Baskets

W x H x D
350 x 1320 x 500mm
(13 3/4 x 52 x 19 1/8")

Basket Finish	Part#
A Diamond Series	041-202331-D
B Hardrock Maple	041-202331-MW
C Chrome Wire	041-202211-M



2 Medium Frame Kit With 5 Baskets

W x H x D
350 x 1620 x 500mm
(13 3/4 x 63 3/4 x 19 1/8")

Basket Finish	Part#
A Diamond Series	041-202332-D
B Hardrock Maple	041-202332-MW
C Chrome Wire	041-202217-M



3 Tall Frame Kit With 6 Baskets

W x H x D
350 x 1820 x 500mm
(13 3/4 x 71 5/8 x 19 1/8")

Basket Finish	Part#
A Diamond Series	041-202333-D
B Hardrock Maple	041-202333-MW
C Chrome Wire	041-202210-M



BASE CA



CABINETS BINETS



From spice fillers to pot and pan pullout shelves, base cabinet pullouts allow easier access to everything stored inside lower cabinets.

Vastly improve your client's user experience and satisfaction by integrating highly functional base cabinet pullouts into your design.

Galaxy Base Cabinet Pullout



PRODUCT FEATURES

The Base Cabinet Pullout provides an easy-to-access kitchen storage solution. The new Anthracite Grey finish elevates the level of beauty while not distracting from the other finishes and focal points in the kitchen.

- Door mount bracket includes 6-way adjustment
- Dual-Side Mount for extra stability
- Spacer kit included for easy installs in Imperial or Metric cabinet widths
- Includes snap-on bottle dividers
- Anti-slip wood melamine bottom baskets are TSCA Title VI compliant
- Load capacity: 30kg (66lbs)



Anthracite Grey,
Dark Grey Melamine

Order Information

- 1** Complete Kit for 300mm or 12" cabinets, Anthracite Grey



W x H x D
264 x 505 x 468mm
(10 3/8 x 19 7/8 x 18 7/16")

Part#

041-VGSBO30-AG

- 2** Complete Kit for 450mm or 18" cabinets, Anthracite Grey



W x H x D
414 x 505 x 468mm
(16 5/16 x 19 7/8 x 18 7/16")

Part#

041-VGSBO45-AG

- 3** Complete Kit for 600mm or 24" cabinets, Anthracite Grey



W x H x D
564 x 505 x 468mm
(22 3/16 x 19 7/8 x 18 7/16")

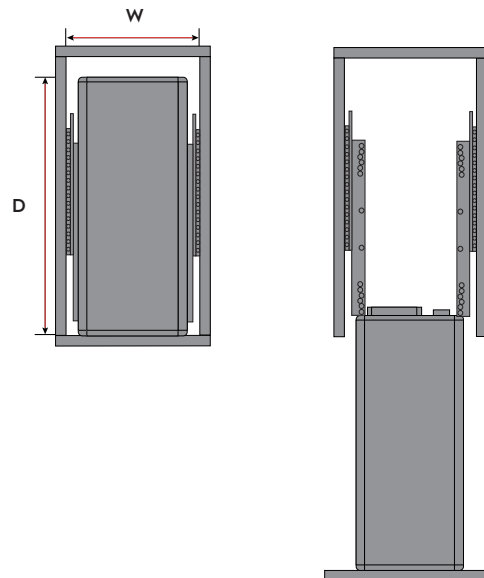
Part#

041-VGSBO60-AG

Planning

Minimum Interior Cabinet Dimensions mm/inch

- 1** W x H x D 264 x 505 x 468mm (10 3/8 x 19 7/8 x 18 7/16")
2 W x H x D 414 x 505 x 468mm (16 5/16 x 19 7/8 x 18 7/16")
3 W x H x D 564 x 505 x 468mm (22 3/16 x 19 7/8 x 18 7/16")



PRODUCT FEATURES

The Narrow Base Cabinet Pullout provides an easy-to-access kitchen storage solution for spices and small items. The new Anthracite Grey finish elevates the level of beauty while not distracting from the other finishes and focal points in the kitchen.

- Runs on left side-mounted, full-extension, soft-close slides
- Concealed slides do allow full access from either side
- Door mount bracket includes 6-way adjustment
- Anti-slip wood melamine bottom baskets are TSCA Title VI compliant
- Load capacity: 30kg (66lbs)



Anthracite Grey,
Dark Grey Melamine

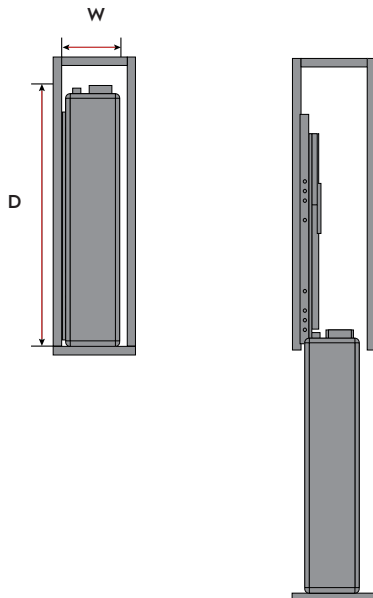


Planning

Minimum Interior Cabinet Dimensions mm/inch

1 W x H x D 107 x 550 x 468mm (4 3/4 x 21 5/8 x 18 7/16")

2 W x H x D 157 x 550 x 468mm (6 3/16 x 21 5/8 x 18 7/16")



Order Information

1 Filler Pullout Kit for 150mm (6") Cabinets, Anthracite Grey

W x H x D
107 x 550 x 468mm
(4 3/4 x 21 5/8 x 18 7/16")

Part#

041-VGSB630-AG



2 Filler Pullout Kit for 200mm (8") or wider Cabinets, Anthracite Grey

W x H x D
157 x 550 x 468mm
(6 3/16 x 21 5/8 x 18 7/16")

Part#

041-VGSB930-AG



Galaxy Side Filler Pullouts



PRODUCT FEATURES

The Side Filler Pullout is a narrow base cabinet filler with solid wood, bottom running on premium Salice Futura undermount slides.

- For either 150mm (6 inches) wide cabinets
- With either 2 or 3 levels of shelves
- Runs on left or right side-mounted, full-extension, soft-close slides
- Concealed slides do allow full access from either side
- Door mount bracket includes 6-way adjustment
- Anti-slip wood melamine bottom baskets are TSCA Title VI compliant
- Load capacity: 35kg (75lbs)



A Champagne Finish,
Maple Melamine



B Chrome Finish,
Light Grey Melamine



C Chrome Finish,
White Melamine

Order Information

1 Two-Tier Pullout Kit, Left Side Mount



W x H x D
107 x 575 x 543mm
(4 1/4 x 22 3/8 x 21 3/8")

Basket Style	Part#
A Champagne/Maple	041-VSQELQAM42SXOMVCH
B Chrome/Light Grey	041-VSQELQAM42SXOMGC
C Chrome/White	041-VSQELQAM42SXOMC

2 Three-Tier Pullout Kit, Left Side Mount



W x H x D
107 x 575 x 543mm
(4 1/4 x 22 3/8 x 21 3/8")

Basket Style	Part#
A Champagne/Maple	041-VSQELQAM4SXOMVCH
B Chrome/Light Grey	041-VSQELQAM4SXOMGC
C Chrome/White	041-VSQELQAM4SXOMC

1 Two-Tier Pullout Kit, Right Side Mount



W x H x D
107 x 575 x 543mm
(4 3/8 x 22 3/8 x 21 3/8")

Basket Style	Part#
A Champagne/Maple	041-VSQELQAM42DXOMVCH
B Chrome/Light Grey	041-VSQELQAM42DXOMGC
C Chrome/White	041-VSQELQAM42DXOMC

2 Three-Tier Pullout Kit, Right Side Mount



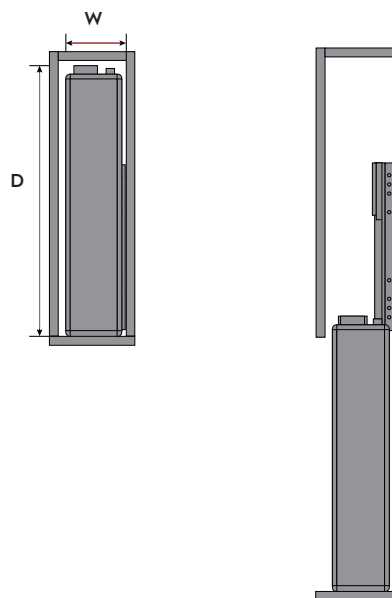
W x H x D
107 x 575 x 543mm
(4 1/4 x 22 3/8 x 21 3/8")

Basket Style	Part#
A Champagne/Maple	041-VSQELQAM4DXOMVCH
B Chrome/Light Grey	041-VSQELQAM4DXOMGC
C Chrome/White	041-VSQELQAM4DXOMC

Planning

Minimum Interior Cabinet Dimensions mm/inch

W x H x D 107 x 575 x 543mm (4 1/4 x 22 3/8 x 21 3/8")

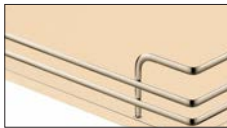


*Right Side Mount Version Shown

PRODUCT FEATURES

The Side Filler Pullout is a narrow base cabinet filler with solid wood bottom, running on premium Salice Futura undermount slides.

- For either 200mm or wider (8 or 9 inches) cabinets
- With either 2 or 3 levels of shelves
- Runs on left or right side-mounted, full-extension, soft-close slides
- Concealed slides do allow full access from either side
- Door mount bracket includes 6-way adjustment
- Anti-slip wood melamine bottom baskets are TSCA Title VI compliant
- Load capacity: 35kg (75lbs)



A Champagne Finish, Maple Melamine



B Chrome Finish, Light Grey Melamine



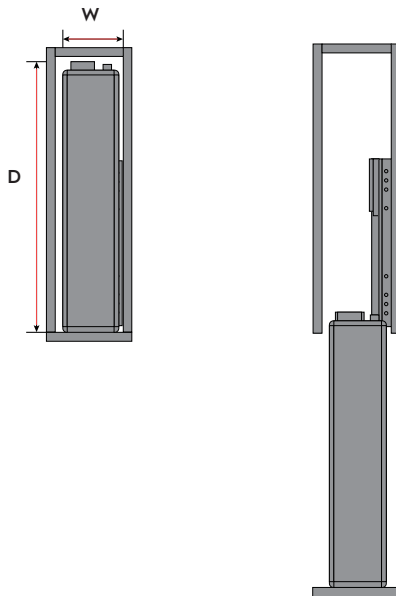
C Chrome Finish, White Melamine



Planning

Minimum Interior Cabinet Dimensions mm/inch

W x H x D 146 x 534 x 543mm (5 ¾ x 21 x 21 ⅝")



*Right Side Mount Version Shown

Order Information

1 Two-Tier Pullout Kit, Left Side Mount

W x H x D
146 x 534 x 543mm
(5 ¾ x 21 x 21 ⅝")

Basket Style	Part#
A Champagne/Maple	041-VSQELQAM6SXOMVCH
B Chrome/Light Grey	041-VSQELQAM6SXOMGC
C Chrome/White	041-VSQELQAM6SXOMC



2 Three-Tier Pullout Kit, Left Side Mount

W x H x D
146 x 534 x 543mm
(5 ¾ x 21 x 21 ⅝")

Basket Style	Part#
A Champagne/Maple	041-VSQELQAM63SXOMVCH
B Chrome/Light Grey	041-VSQELQAM63SXOMGC
C Chrome/White	041-VSQELQAM63SXOMC



1 Two-Tier Pullout Kit, Right Side Mount

W x H x D
146 x 534 x 543mm
(5 ¾ x 21 x 21 ⅝")

Basket Style	Part#
A Champagne/Maple	041-VSQELQAM6DXOMVCH
B Chrome/Light Grey	041-VSQELQAM6DXOMGC
C Chrome/White	041-VSQELQAM6DXOMC



2 Three-Tier Pullout Kit, Right Side Mount

W x H x D
146 x 534 x 543mm
(5 ¾ x 21 x 21 ⅝")

Basket Style	Part#
A Champagne/Maple	041-VSQELQAM63DXOMVCH
B Chrome/Light Grey	041-VSQELQAM63DXOMGC
C Chrome/White	041-VSQELQAM63DXOMC



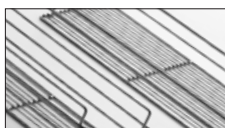
Wire Side Mount Filler Pullout



PRODUCT FEATURES

The Side Mounted Filler Pullout suitable for narrow spice or bottle storage cabinets. Available in two widths, this Italian made product is an elegant way to organize your narrow storage.

- Fits common filler cabinet sizes 150mm or 200/230mm (6" or 8/9")
- Runs on left or right side-mounted soft-close slides
- Stylish chrome wire finish
- Load capacity: 30kg (66lbs)



Chrome Wire

Order Information

1 Chrome Wire Filler Pullout, for 150mm (6") Cabinets



W x H x D
107 x 550 x 470mm
(4 1/4 x 21 5/8 x 18 1/2")

Mount	Part#
Left	041-VSP6CL
Right	041-VSP6CR

2 Chrome Wire Filler Pullout, for 200mm (8") or wider Cabinets



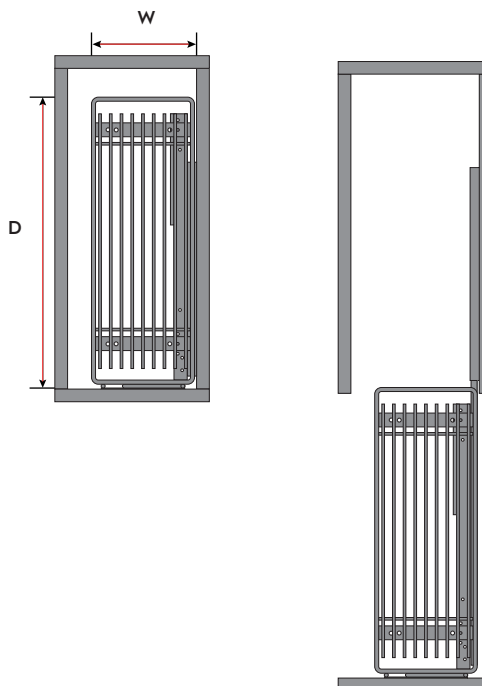
W x H x D
157 x 550 x 470mm
(6 1/8 x 21 5/8 x 18 1/2")

Mount	Part#
Left	041-VSP9CL
Right	041-VSP9CR

Planning

Minimum Interior Cabinet Dimensions mm/inch

- 1 W x H x D 107 x 550 x 470mm (4 1/4 x 21 5/8 x 18 1/2")
- 2 W x H x D 157 x 550 x 470mm (6 1/8 x 21 5/8 x 18 1/2")

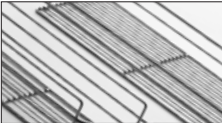


*Right Side Mount Version Shown

PRODUCT FEATURES

The Space Genie pullout is suitable for narrow spice or bottle storage cabinets. Featuring a soft-close full extension slide.

- Fits narrow cabinet of 150mm (6") width
- Universal, can be installed on either left or right side
- Load capacity: 20kg (44lbs)



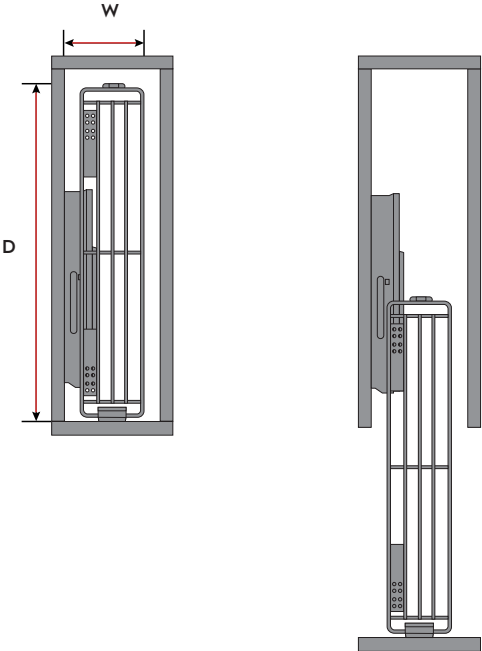
Chrome Wire



Planning

Minimum Interior Cabinet Dimensions mm/inch

W x H x D 105 x 525 x 489mm (4 1/8 x 20 5/8 x 19 1/4")



Order Information

1 Complete Kit for 150mm (6") Cabinets

W x H x D
105 x 525 x 489mm
(4 1/8 x 20 5/8 x 19 1/4")

Part#

041-FC100-G



*Left Side Mount Shown. Product is Universal.

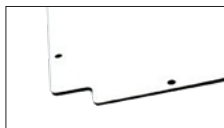
Side Pullout



PRODUCT FEATURES

Door Mounted Filler Pullout that features a reversible composite bottom finished in both dark grey and white to better coordinate with your interior cabinet colours.

- Multiple widths available: 200 and 300mm (8 and 12 inch)
- Universal, can be installed on either left or right side
- New updated product replaces handed previous generation
- Reversible two colour bottoms
- 2 level storage baskets
- Soft-close slides
- Load capacity: 20kg (44lbs)



Reversible Compact Board, Arctic White



Reversible Compact Board, Anthracite Grey

Order Information

1 Reversible Bottom Pullout Kit for 200mm (8 or 9") cabinets



W x H x D
164 x 560 x 484mm
(6 1/2 x 22 1/8 x 19 1/8")

Part#

041-FA120-GW

2 Reversible Bottom Pullout Kit for 300mm (12") cabinets



W x H x D
264 x 560 x 484mm
(10 3/8 x 22 1/8 x 19 1/8")

Part#

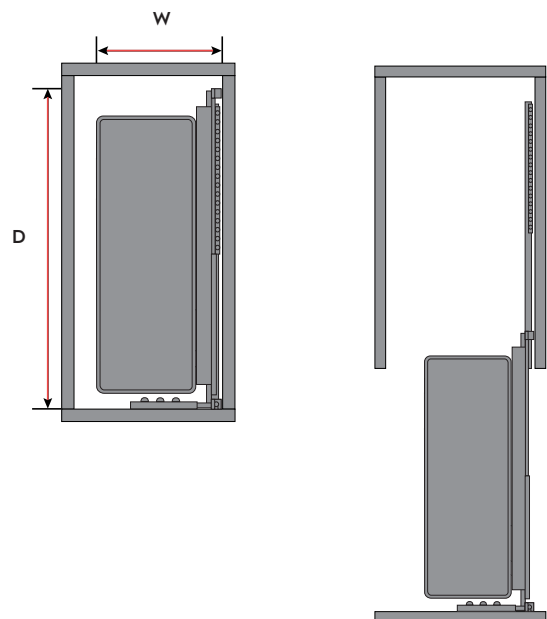
041-FA130-GW

Planning

Minimum Interior Cabinet Dimensions mm/inch

1 W x H x D 164 x 560 x 484mm (6 1/2 x 22 1/8 x 19 1/8")

2 W x H x D 264 x 560 x 484mm (10 3/8 x 22 1/8 x 19 1/8")

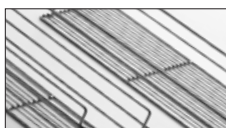


*Right Side Mount Shown. Product is Universal.

PRODUCT FEATURES

Marathon's popular door mounted soft-close pullout that features three levels of adjustable chrome wire baskets.

- Multiple widths available: 200, 300 and 400mm (8, 12 and 16 inch)
- Universal, can be installed on either left or right side
- 3 level storage baskets
- Soft-close slides
- Load capacity: 20kg (44lbs)



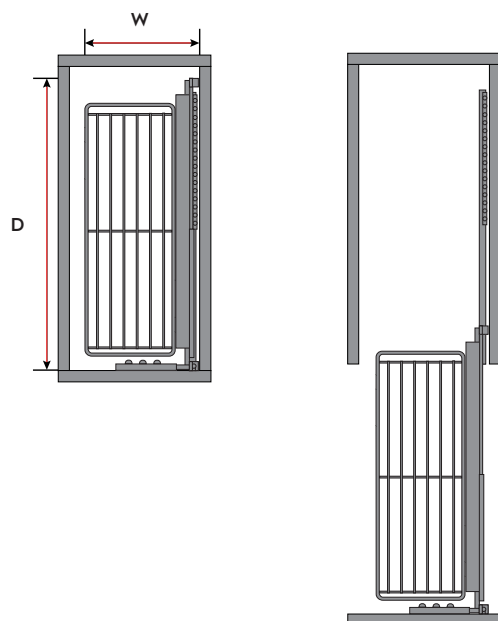
Chrome Wire



Planning

Minimum Interior Cabinet Dimensions mm/inch

- 1** W x H x D 164 x 540 x 470mm (6 ½ x 21 ¼ x 18 ½")
- 2** W x H x D 264 x 540 x 470mm (10 ⅜ x 21 ¼ x 18 ½")
- 3** W x H x D 364 x 540 x 470mm (14 ⅝ x 21 ¼ x 18 ½")



Order Information

1 Chrome Wire Pullout Kit for 200mm (8 or 9") cabinets

W x H x D
164 x 540 x 470mm
(6 ½ x 21 ¼ x 18 ½")

Part#

041-FA120-GB



2 Chrome Wire Pullout Kit for 300mm (12") cabinets

W x H x D
264 x 540 x 470mm
(10 ⅜ x 21 ¼ x 18 ½")

Part#

041-FA130-GB



3 Chrome Wire Pullout Kit for 400mm (16") cabinets

W x H x D
364 x 540 x 470mm
(14 ⅝ x 21 ¼ x 18 ½")

Part#

041-FA140-GB



*Right Side Mount Shown. Product is Universal.

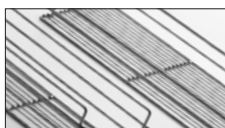
Multi-Shelf Side Pullout



PRODUCT FEATURES

The Three Shelf Side Pullout runs on DTC soft-close slides that provide stable motion. Includes 2 Baskets.

- Clip-on chrome wire baskets, 2 included with pullout
- Optional third basket available (sold separately)
- Handed for either left or right side installation
- Soft-close slides
- Load capacity: 25kg (55lbs)



Chrome Wire

Order Information

1 Chrome Wire Pullout 2 Baskets, for 200mm (8 or 9") Cabinets



W x H x D
135 x 550 x 460mm
(5 3/8 x 21 3/8 x 18 1/8")

Mounting	Part#
Left	041-304115-I-L
Right	041-304115-I-R

2 Chrome Wire Pullout with 2 Baskets, for 300mm (12") Cabinets



W x H x D
234 x 550 x 460mm
(9 3/8 x 21 3/8 x 18 1/8")

Mounting	Part#
Left	041-304117-I-L
Right	041-304117-I-R

3 Additional Baskets (sold individually)

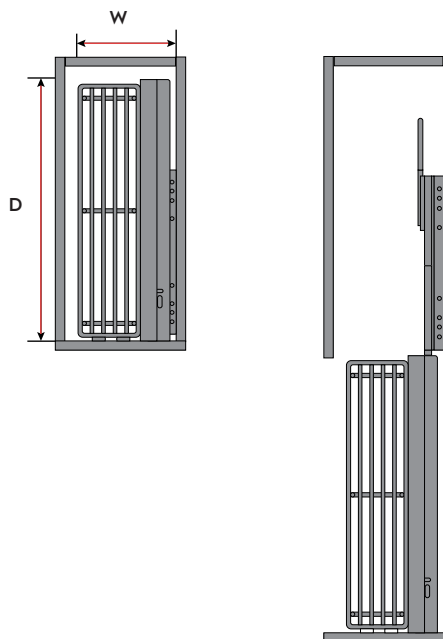


Cabinet Width	Part#
200mm (8")	041-304115-B
300mm (12")	041-304117-B

Planning

Minimum Interior Cabinet Dimensions mm/inch

- 1 W x H x D 135 x 550 x 460mm (5 3/8 x 21 3/8 x 18 1/8")
- 2 W x H x D 234 x 550 x 460mm (9 3/8 x 21 3/8 x 18 1/8")



*Right Side Mount Version Shown

PRODUCT FEATURES

Metal bottom two-shelf side-mounted narrow pullout perfect for organizing bottles and spices in a cooking preparation area.

- Suitable for 6" (150mm) wide cabinets
- Handed for either left or right side installation
- 2 level storage baskets at fixed height
- Anti-slip tactile metal bottom
- Soft-close slides
- Load capacity: 25kg (55lbs)



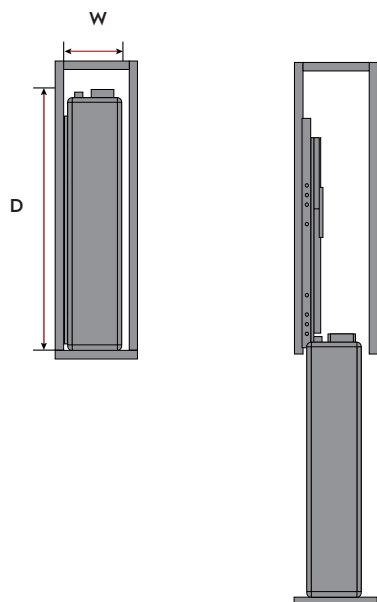
Chrome Wire, Metal Bottom with Tactile Anti-Slip



Planning

Minimum Interior Cabinet Dimensions mm/inch

W x H x D 100 x 520 x 485mm (3 15/16 x 20 1/2 x 19 1/16")



Order Information

Filler Pullout Kit for 150mm (6") Cabinets

W x H x D
100 x 520 x 485mm
(3 15/16 x 20 1/2 x 19 1/16")

Mounting	Part#
Left	041-304221-I-L
Right	041-304221-I-R



*Left Side Mount Version Shown

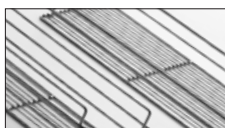
Bottom Mount Pullout



PRODUCT FEATURES

This bottom mounted filler runs on DTC soft-close slides that provide stable and noiseless motion. Offering functional chrome wire baskets for storage.

- Suitable for 300mm (12") Cabinets
- Three tiers of fixed height chrome wire baskets
- Bottom-mounted unit
- Soft-close slides
- Load capacity: 25kg (55lbs)



Chrome Wire

Order Information

- 1 Complete Kit for 300mm (12") Cabinets



W x H x D
245 x 510 x 450mm
(9 5/8 x 20 1/8 x 17 3/4")

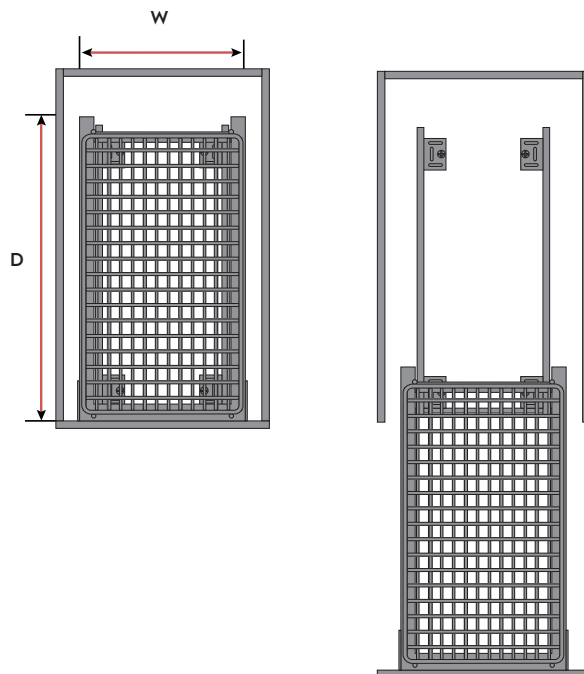
Part#

041-305001-I

Planning

Minimum Interior Cabinet Dimensions mm/inch

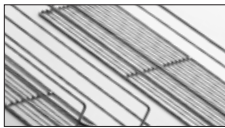
W x H x D 245 x 510 x 450mm (9 5/8 x 20 1/8 x 17 3/4")



PRODUCT FEATURES

This Bottom Mounted Pullout runs on DTC soft-close slides.

- Suitable for 150mm or 200/230mm (6 or 8/9") Cabinets
- Two tiers of fixed height chrome wire baskets
- Bottom-mounted unit
- Soft-close slides
- Load capacity: 25kg (55lbs)



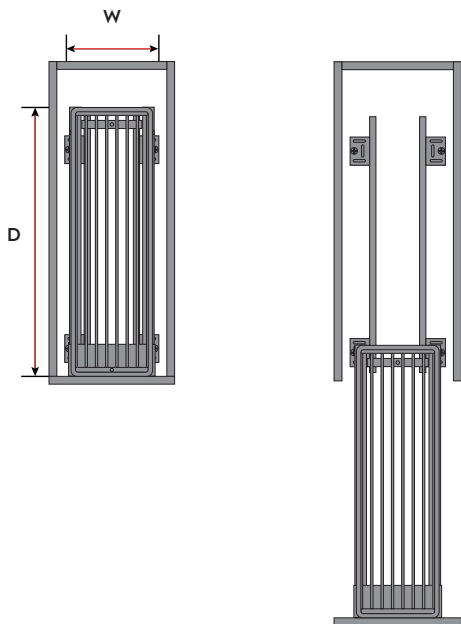
Chrome Wire



Planning

Minimum Interior Cabinet Dimensions mm/inch

- 1 W x H x D 100 x 515 x 450mm (3 15/16 x 20 1/4 x 17 3/4")
- 2 W x H x D 150 x 515 x 450mm (5 15/16 x 20 1/4 x 17 3/4")



Order Information

1 Complete Kit for 150mm (6") Cabinets

W x H x D
100 x 515 x 450mm
(3 15/16 x 20 1/4 x 17 3/4")

Part#

041-304084-I



2 Complete Kit for 200mm (8 or 9") Cabinets

W x H x D
150 x 515 x 450mm
(5 15/16 x 20 1/4 x 17 3/4")

Part#

041-304081-I



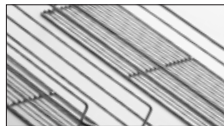
Bottom Mounted Pullout



PRODUCT FEATURES

This Bottom Mounted Pullout with concealed undermount soft-close slides is a good fit for undersink or base cabinets. Cutting board holder included.

- Required Interior Width of 270mm (10 5/8") for opening
- Door Mount not available
- Available for hinged door only
- Load capacity: 15kg (33lbs)
- Soft-Close



Chrome Wire

Order Information

- 1 Bottom Mount Pullout, complete kit



W x H x D
267 x 423 x 484mm
(10 1/2 x 16 1/8 x 19 1/8")

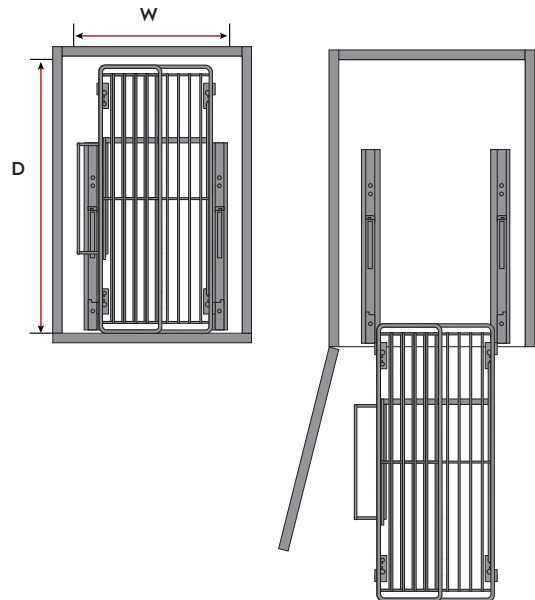
Part#

041-FL100-C

Planning

Minimum Interior Cabinet Dimensions mm/inch

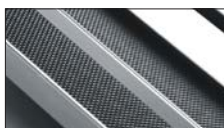
W x H x D 267 x 423 x 484mm (10 1/2 x 16 1/8 x 19 1/8")



PRODUCT FEATURES

Base Cabinet Swing Out provides two layer storage options with partial extension slides pushing out the interior shelves. Shown here is the Diamond Series anti-slip trays.

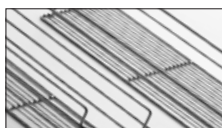
- Two sizes available for 450mm (18") or 600mm (24") door
- Inner baskets extend out as door opens
- Universal for either Left or Right door opening
- Load capacity: 30kg (66lbs)



A Diamond Series, Chrome Finish



B Hardrock Maple, Chrome Finish



C Chrome Wire

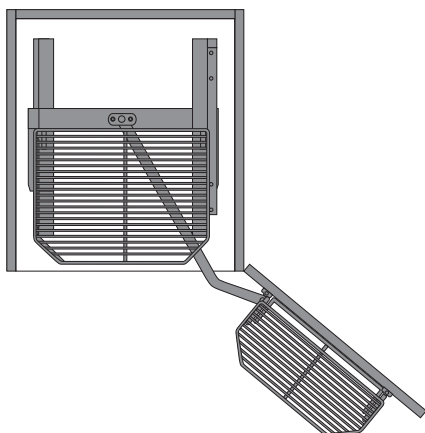
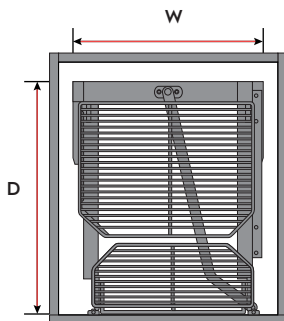


Planning

Minimum Interior Cabinet Dimensions mm/in

1 W x H x D 400 x 590 x 530mm (15 3/4 x 23 1/4 x 20 7/8")

2 W x H x D 550 x 590 x 530mm (21 5/8 x 23 1/4 x 20 7/8")



*Right Open Shown. Product is Universal.

Order Information

1 Complete Kit for 18" (450mm) Cabinet

W x H x D
400 x 590 x 530mm
(15 3/4 x 23 1/4 x 20 7/8")

Basket Style	Part#
A Diamond Series	041-309019-D
B Hardrock Maple	041-309019-MW
C Chrome Wire	041-309001-I



2 Complete Kit for 24" (600mm) Cabinet

W x H x D
550 x 590 x 530mm
(21 5/8 x 23 1/4 x 20 7/8")

Basket Style	Part#
A Diamond Series	041-309020-D
B Hardrock Maple	041-309020-MW
C Chrome Wire	041-309003-I



Towel Bar Holder



PRODUCT FEATURES

Towel Bar holder that pulls out for easy storage. Holds up to three towels on attractive anochrome finished metal rods.

- Universal for either right or left side mounting
- 3 arms for storing multiple towels
- Sturdy steel construction

Order Information

Towel Bar Pullout, Complete Kit



W x H x D
122 x 33 x 450mm
(4 13/16 x 1 5/16 x 17 3/4")

Part#

KP793RANO

Planning

Minimum Interior Cabinet Dimensions mm/inch

W x H x D 122 x 33 x 450mm (4 13/16 x 1 5/16 x 17 3/4")

UPPER



Upper cabinet fillers provide similar storage options to base cabinet pullouts.

Improved accessibility by eliminating bending makes upper cabinet pullouts superior to their base cabinet counterparts.

Vastly improve your client's user experience and satisfaction by integrating highly functional upper cabinet pullouts into your design.





ABINETTS

Galaxy Narrow Upper Cabinet



PRODUCT FEATURES

This new upper cabinet pullout offers better storage options when designing your upper cabinets. With a left side mounted slide that is concealed and offers access from either side, you can add this fantastic new pullout to any project.

- Height suits 762mm (30") tall upper cabinets
- Available for 150 (6") wide cabinets
- Runs on left side-mounted, full-extension, soft-close slides
- Concealed slides do allow full access from either side
- Door-mount bracket includes 6-way adjustment
- Two fixed position shelves
- Anti-slip wood melamine bottom baskets are TSCA Title VI compliant
- Load capacity: 30kg (66lbs)



Anthracite Grey,
Dark Grey Melamine

Order Information

1 Complete Kit



W x H x D
107 x 550 x 288mm
(4 3/8 x 21 5/8 x 11 5/16")

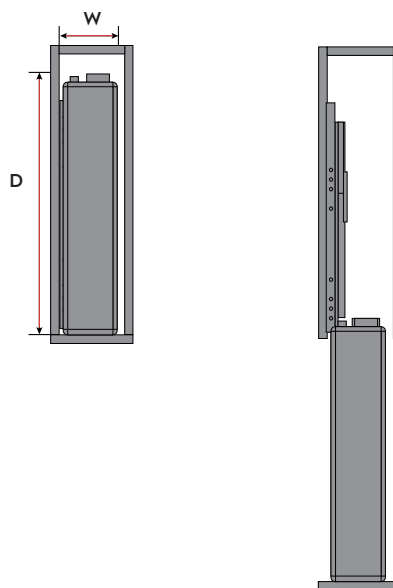
Part#

041-VGSW630-AG

Planning

Minimum Interior Cabinet Dimensions mm/inch

W x H x D 107 x 550 x 288mm (4 3/8 x 21 5/8 x 11 5/16")





WASTES



Waste storage pullouts create an opportunity to increase the functionality and workflow of a kitchen while eliminating that unsightly old garbage can from the kitchen floor.

With multiple different designs and bin configurations for garbage, recycling, and compost, there is a solution that's right for your project.



PRODUCT FEATURES

The Vibo GLOBE waste bin pullout is a European waste bin system that can be customized to the needs of your client. Choose from large multi-bin waste and recycling storage systems and add pieces such as small removable compost bins or carbon filter lids.

- Spacer kit included for use in imperial or metric width cabinets
- Durable certified 50kg load soft-close european slide
- Slide over-travel makes bin removal easy
- Metal shelf lid included or use with carbon filter lids (sold separately)
- Door-Mount brackets include 6-Way door adjustments
- Optional Lids available on Page #77
- Load capacity: 50kg (110lbs)

Order Information

1 Complete Kit for 300mm or 12" cabinets



W x H x D
264-268 x 526 x 467mm
(10 3/8 - 10 5/8 x 20 1/8 x 18 3/8")

Bin Size	Part#
36L	041-PGT-301G

2 Complete Kit 450mm or 18" cabinets



W x H x D
414-418 x 477 x 467mm
(16 1/8 - 16 3/8 x 18 3/4 x 18 3/8")

Bin Sizes	Part#
30 + 30L	041-PGT-452G

3 Complete Kit 450mm or 18" cabinets



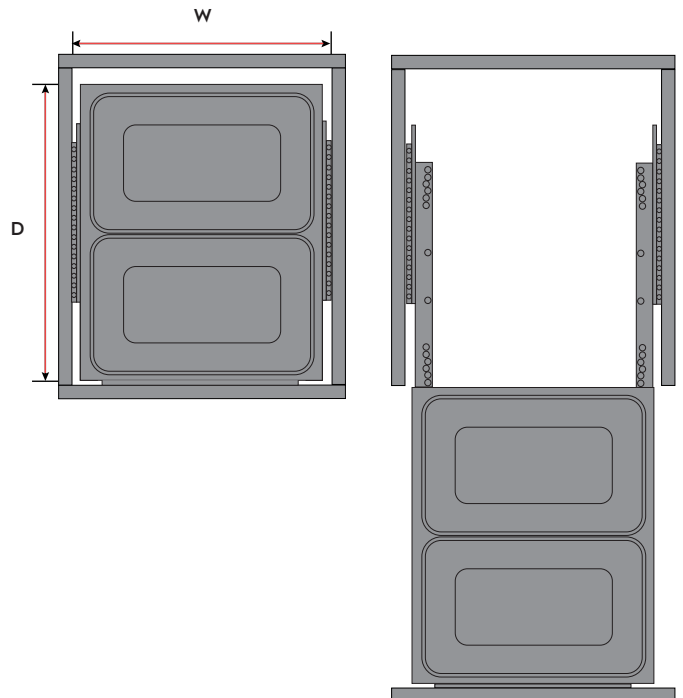
W x H x D
414-418 x 477 x 467mm
(16 1/8 - 16 3/8 x 18 3/4 x 18 3/8")

Bin Sizes	Part#
30 + 10 + 9L	041-PGT-453G

Planning

Minimum Interior Cabinet Dimensions mm/inch

- 1** W x H x D 264-268 x 526 x 467mm (10 3/8 - 10 5/8 x 20 1/8 x 18 3/8")
- 2** W x H x D 414-418 x 477 x 467mm (16 1/8 - 16 3/8 x 18 3/4 x 18 3/8")
- 3** W x H x D 414-418 x 526 x 467mm (16 1/8 - 16 3/8 x 18 3/4 x 18 3/8")



PRODUCT FEATURES

The Vibo GLOBE waste bin pullout is a European waste bin system that can be customized to the needs of your client. Choose from large multi-bin waste and recycling storage systems and add pieces such as small removable compost bins or carbon filter lids.

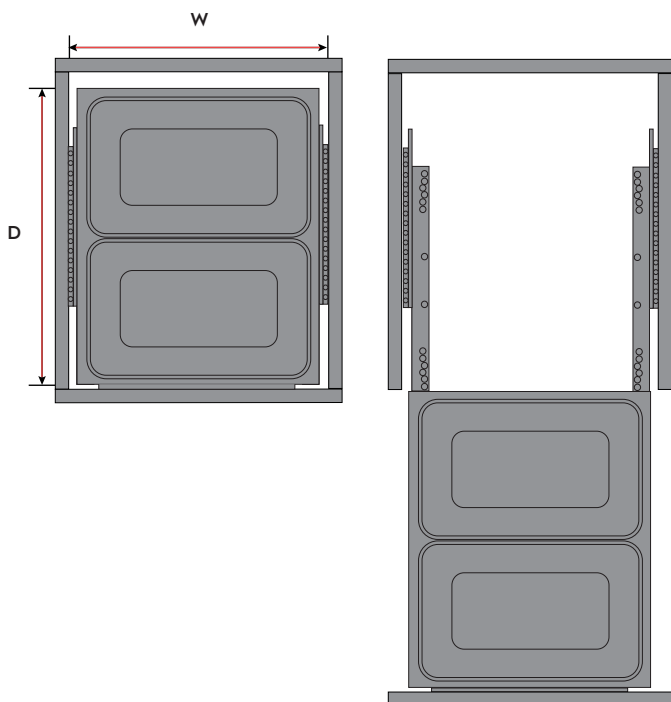
- Spacer kit included for use in imperial or metric width cabinets
- Durable certified 50kg load soft-close european slide
- Slide over-travel makes bin removal easy
- Metal shelf lid included or use with carbon filter lids (sold separately)
- 3-Way door adjustments
- Optional Lids available on Page #77
- Load capacity: 50kg (110lbs)



Planning

Minimum Interior Cabinet Dimensions mm/inch

- 1** W x H x D 564-568 x 526 x 467mm (22 3/8 - 22 3/8 x 20 1/8 x 18 3/8")
- 2** W x H x D 564-568 x 447 x 467mm (22 3/8 - 22 3/8 x 17 5/8 x 18 3/8")



Order Information

1 Complete Kit for 600mm or 24" cabinets

W x H x D
564-568 x 526 x 467mm
(22 3/8 - 22 3/8 x 20 1/8 x 18 3/8")



Bin Sizes	Part#
36 + 36L	041-PGT-602G

2 Complete Kit for 600mm or 24" cabinets

W x H x D
564-568 x 447 x 467mm
(22 3/8 - 22 3/8 x 17 5/8 x 18 3/8")



Bin Sizes	Part#
20 + 20 + 10 + 9L	041-PGT-604G

Euro-Wire Waste Pullout



PRODUCT FEATURES

Euro-Wire Waste Pullouts running on Salice Undermount Slides. Bottom mounted with simple and quick installation. Large bins with lots of room for waste separation.

- Both door-mount bracket and pull-out handle included
- Door bracket is width adjustable for use on both shaker and slab doors
- Door bracket includes 6-way adjustment for door alignment
- Bin handle can be used to hold down bag liner
- Carbon filter lids sold separately on page 77
- Small compost bin insert also available on page 77
- Runs on high quality european soft-close slides
- Load capacity: 34kg (75lbs)

Order Information

1 Complete Kit with 1 Bin, for 15" (381mm) cabinets



W x H x D
305 x 495 x 498mm
(12 x 19 1/2 x 19 5/8")

Bin Size	Part#
33L	041-VSQPAM12135CR

2 Complete Kit with 2 Bins, for 18" (450mm) cabinets



W x H x D
381 x 495 x 498mm
(15 x 19 1/2 x 19 5/8")

Bin Size	Part#
2 x 30L	041-VSQPAM15228CR

3 Complete Kit with 2 Bins, for 21" (533 mm) cabinets



W x H x D
458 x 495 x 498mm
(18 x 19 1/2 x 19 5/8")

Bin Size	Part#
2 x 30L	041-VSQPAM18228CR

4 Complete Kit with 2 Bins, for 24" (600 mm) cabinets



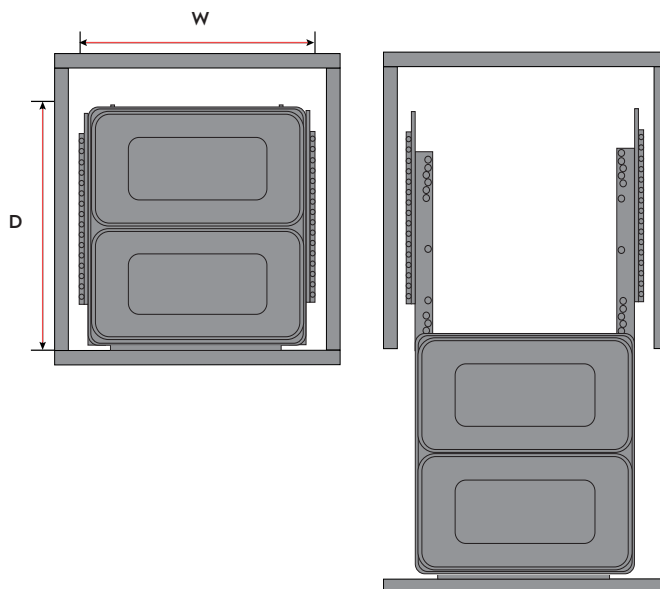
W x H x D
533 x 495 x 498mm
(21 x 19 1/2 x 19 5/8")

Bin Size	Part#
2 x 33L	041-VSQPAM21235CR

Planning

Minimum Interior Cabinet Dimensions mm/inch

- 1 W x H x D 305 x 495 x 498mm (12 x 19 1/2 x 19 5/8")
- 2 W x H x D 381 x 495 x 498mm (15 x 19 1/2 x 19 5/8")
- 3 W x H x D 458 x 495 x 498mm (18 x 19 1/2 x 19 5/8")
- 4 W x H x D 533 x 495 x 498mm (21 x 19 1/2 x 19 5/8")



PRODUCT FEATURES

The Magica Evolution waste bin for hinged doors moves forward automatically when door opened. A flip-top side-mounted lid covers the waste bins when closed.

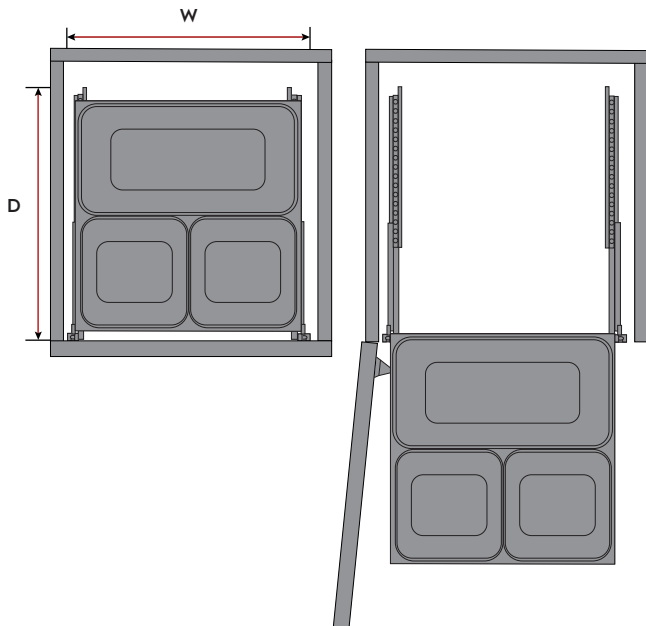
- Suitable for 450mm (18") cabinets
- Bottom-mounted with door-follow attachment
- Designed for full height cabinet with no drawer above
- For standard hinged door
- Recommend 120/125 degree soft-close hinges for full extension
- Runs on high quality european slides
- Load capacity: 40kg (88lbs)



Planning

Minimum Interior Cabinet Dimensions mm/inch

W x H x D 370 x 612 x 486mm (14 5/8 x 24 1/8 x 19 1/8")



Order Information

1 Magica Evolution Kit with 2 Bins for 18" or 450mm cabinets

W x H x D
370 x 612 x 486mm
(14 5/8 x 24 1/8 x 19 1/8")

Bin Size	Part#
2 x 30L	041-VMG61-452G



2 Magica Evolution Kit with 3 Bins for 18" or 450mm cabinets

W x H x D
370 x 612 x 486mm
(14 5/8 x 24 1/8 x 19 1/8")

Bin Size	Part#
30 + 10 + 9L	041-VMG61-453G



VPET Waste/Recycling Unit



PRODUCT FEATURES

The VPET is a compact waste and recycling pullout with three bins. Bottom mounted and easy to install with low height clearance works well under a sink. Flip-top lid included or upgrade to carbon filter lids for the best in odour control.

- Suitable for 450mm (18") cabinets
- Includes 3 waste bins (16L, 7L and 7L)
- For standard hinged door
- Runs on high quality european soft-close slides
- Optional Lids available on Page #77
- Load capacity: 30kg (66lbs)

Order Information

1 Complete Kit with 3 Bins for 18" or 450mm cabinets



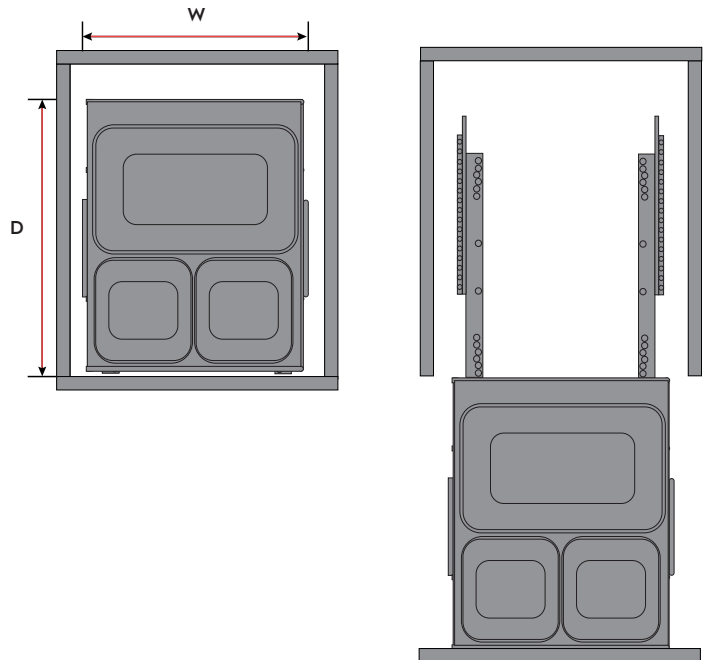
W x H x D
408 x 342 x 487
(16 1/8 x 13 3/8 x 19 3/8")

Bin Size	Part#
16 + 7 + 7L	041-VPET-453G

Planning

Minimum Interior Cabinet Dimensions mm/inch

W x H x D 408 x 342 x 487mm (16 1/8 x 13 3/8 x 19 3/8")



PRODUCT FEATURES

The Magica Easy waste bin for hinged doors moves forward automatically when door opened. With 2, 3 or 4 bin versions available, sorting your waste has never been easier!

- Suitable for 450 or 600mm (18 or 24") cabinets
- Bottom-mounted with door-follow attachment
- For standard hinged door
- Recommend 120/125 degree soft-close hinges for full extension\
- Runs on high quality european slides
- Basic lids (without carbon filter) included
- One carbon filter lid is included in 3 or 4 bin versions.
- Load capacity: 40kg (88lbs)

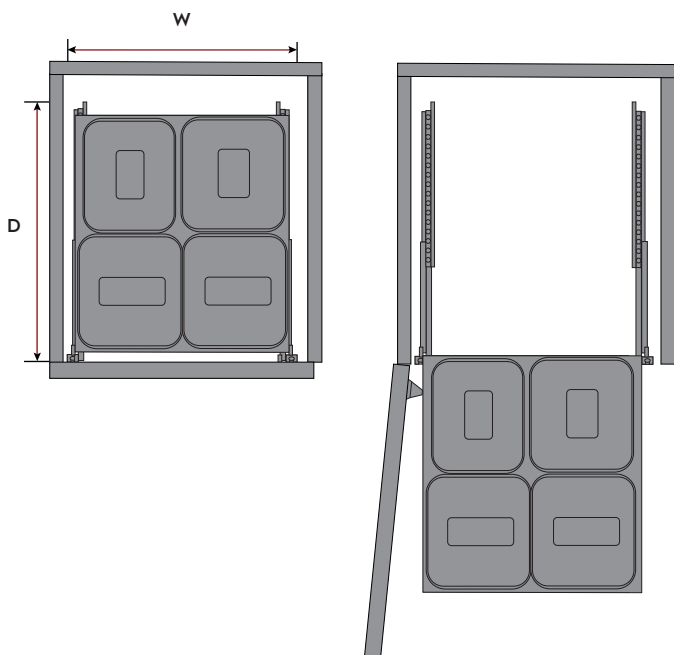


Planning

Minimum Interior Cabinet Dimensions mm/inch

1 W x H x D 370 x 560 x 500mm (14 5/8 x 22 1/8 x 19 1/8")

2 W x H x D 520 x 560 x 500mm (20 1/2 x 22 1/8 x 19 1/8")



Order Information

1 Complete Kit with 2 or 3 Bins for 18" or 450mm cabinets

W x H x D
370 x 560 x 500mm
(14 5/8" x 22 1/8" x 19 1/8")

Bin Size	Part#
2 x 30L	041-VMG58-452G
30 + 10 + 9L	041-VMG58-453G



2 Complete Kit with 4 Bins for 24" or 600mm cabinets

W x H x D
520 x 560 x 500mm
(20 1/2" x 22 1/8" x 19 1/8")

Bin Size	Part#
20 + 20 + 10 + 9L	041-VMG58-604G



Euro Wire, Extra Large Bin



PRODUCT FEATURES

The perfect solution for high capacity recycling or waste storage needs. With a full height 47L bin, you can hold everything.

- Runs on Salice Shelf soft-close slides that mount to the bottom
- Door-mount bracket and handle both included
- Door-mount bracket has adjustable width for standard and 5-piece doors
- Door-mount bracket has 3-way adjustment for cabinet door alignment
- Lids are sold separately.
- For a 47L bin, order 041-PCO-XX and for a 10L bin, order 041-PCO-SM
- Load capacity: 45kg (100lbs)

Order Information

1 Complete Kit with 2 Bins for 15" or 381mm cabinets



W x H x D
292 x 611 x 560mm
(11 1/2 x 24 1/8 x 22 1/8")

Bin Size	Part#
47 + 10L	041-VSQPAM12150CR

2 Complete Kit with 2 Bins for 18" or 450mm cabinets



W x H x D
368 x 611 x 560mm
(14 1/2 x 24 1/8 x 22 1/8")

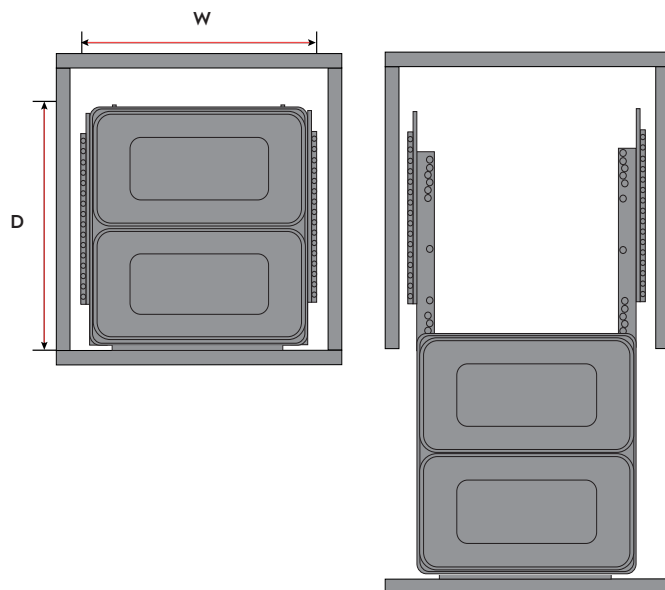
Bin Size	Part#
2 x 47L	041-VSQPAM15250CR

Planning

Minimum Interior Cabinet Dimensions mm/inch

1 W x H x D 292 x 611 x 560mm (11 1/2 x 24 1/8 x 22 1/8")

2 W x H x D 368 x 611 x 560mm (14 1/2 x 24 1/8 x 22 1/8")



PRODUCT FEATURES

Another unique storage solution, with a large 30L bin and a short height item storage tray in rear, providing clearance for plumbing.

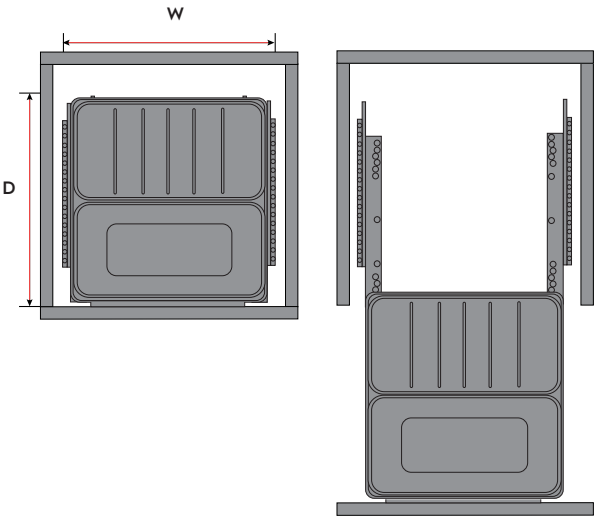
- Suitable for 381mm (15") hinged door cabinets
- Bottom mounted; easy to install
- Runs on Salice Futura full-extension soft-close slides
- For standard hinged doors, pullout handle is included
- Carbon Filter Lids sold separately. Order 041-PCO-LA for a 30L Bin.
- Load capacity: 34kg (75lbs)



Planning

Minimum Interior Cabinet Dimensions mm/inch

W x H x D 381 x 495 x 450mm (15 x 19 1/2 x 17 1/8")



Order Information

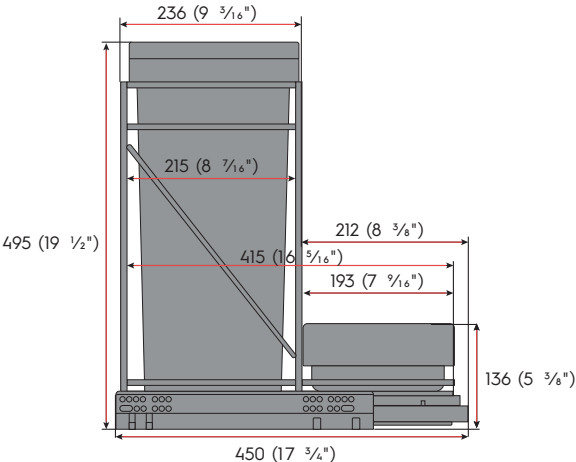
1 Complete Kit with 1 Bin for 15" or 381mm cabinets

W x H x D
381 x 495 x 450mm
(15 x 19 1/2 x 17 1/8")

Bin Size	Part#
30L	041-VSQPAMS15130C



Side View - Planning for Undersink Plumbing Clearances



Undersink Swingout Storage



PRODUCT FEATURES

The unique Undersink Swingout Storage (USS) is ideal as a pair to our USB in an undersink cabinet. Both the USS and USB products together will fit in a 36" (900mm) or wider sink cabinet. When both units are open, you can still stand between and access both sink and shelves.

- Best suited for 18" (450mm) cabinet door
- Not-reversible, left-side install and left-side swing only
- Door-mount bracket has 3-way adjustment
- Two chrome wire baskets with movable dividers
- Perfect for storing cleaning products
- Soft-close included
- Load capacity: 20kg (44lbs)

Order Information

- 1 Complete Kit for 450mm (18") cabinet doors



W x H x D
407 x 482 x 488mm
(16 x 19 x 19 3/8")

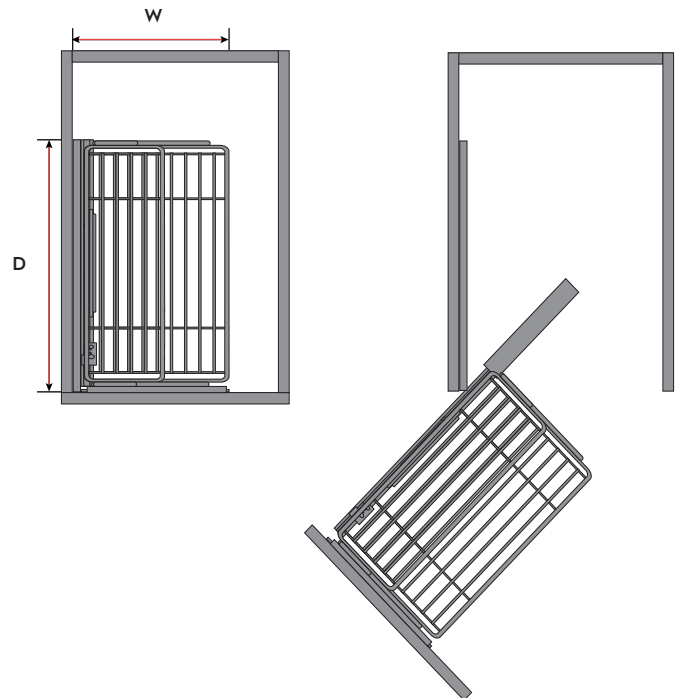
Part#

041-VUSS45C-L

Planning

Minimum Interior Cabinet Dimensions mm/inch

W x H x D 407 x 482 x 488mm (16 x 19 x 19 3/8")



PRODUCT FEATURES

The unique Undersink Swingout Bin (USB) is ideal for waste storage under a sink. For storage, you have 2 x 15L waste bins and a storage shelf that acts as lid. Both USS and USB products installed together will fit in a 36" (900mm) or wider sink cabinet. When both units are open, you can still stand between and access both sink and bins.

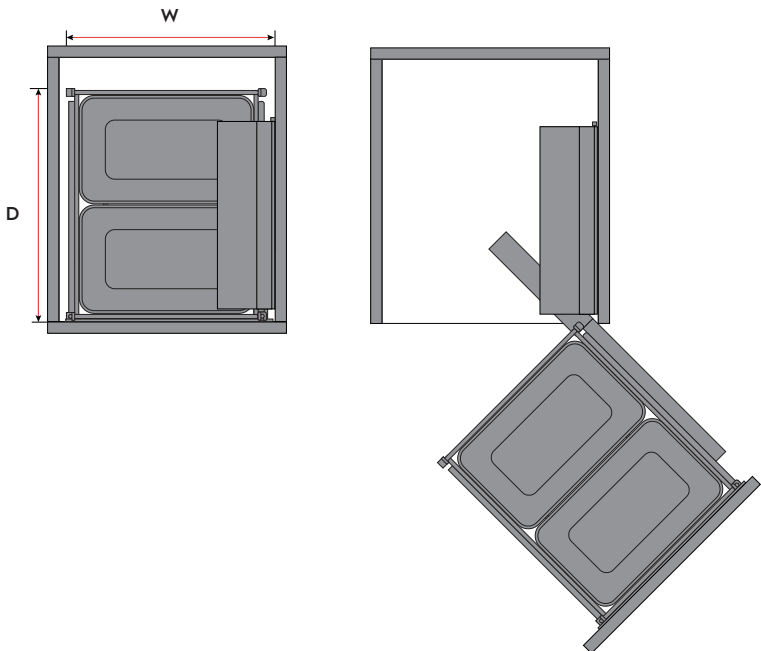
- Best suited for 18" (450mm) cabinet door
- Not-reversible, right-side install and right-side swing only
- Door-mount bracket has 3-way adjustment
- Two 15L waste bins included
- Metal cover tray/shelf included
- Optional carbon filter lids sold separately
- Soft-close included
- Load capacity: 20kg (44lbs)



Planning

Minimum Interior Cabinet Dimensions mm/inch

W x H x D 407 x 482 x 488mm (16 x 19 x 19 3/8")



Order Information

1 Complete Kit for 450mm (18") cabinet doors

W x H x D
407 x 482 x 488mm
(16 x 19 x 19 3/8")

Bin Size	Part#
2 x 15L	041-VUSB45C-R



Compact Undersink Wastebin



PRODUCT FEATURES

Short height waste bin excellent for undersink installation. 100% Made in Italy featuring Salice soft-close slides. Bottom-mounted for easy and quick installation. European design and craftsmanship.

- Runs on Salice Shelf soft-close slides that mount to the bottom
- Basic lids included (without carbon filter)
- For hinged door only
- Load capacity: 30kg (66lbs)

Order Information

1 Complete Kit



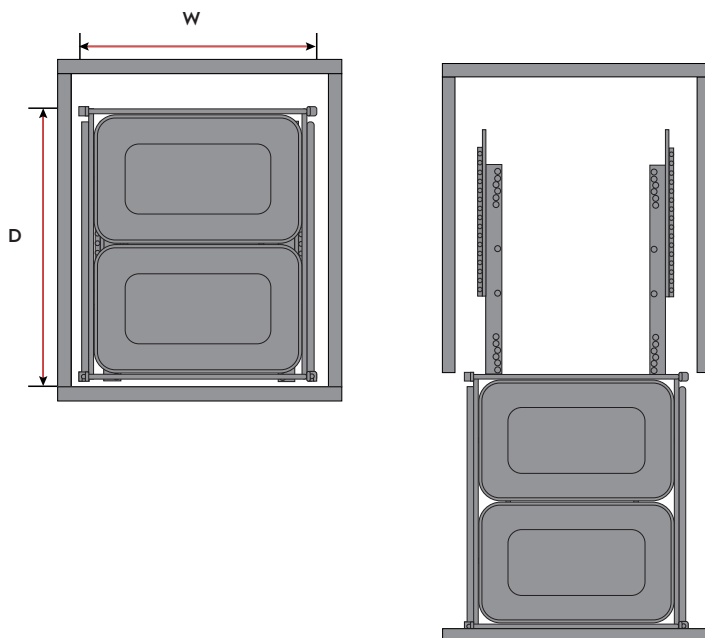
W x H x D
300 x 369 x 500mm
(11 3/4 x 14 1/2 x 19 5/8")

Bin Size	Part#
2 x 15L	041-VSQPETAM332MC

Planning

Minimum Interior Cabinet Dimensions mm/inch

W x H x D 300 x 369 x 500mm (11 3/4 x 14 1/2 x 19 5/8")
Note: Front handle height is 383mm (15 1/8")



PRODUCT FEATURES

Vibo makes it easy to ensure that your clients get exactly what they want every time. You can continue to custom make your own wooden pullouts and use these Italian made, high quality plastic bins, compost inserts and carbon filter lids.

- Match your bin size to lids easily with size code
- Commonality in sizes and dimensions makes this easy
- Compost bins will sit inside LA and XL Bins securely



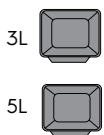
Planning

Product Dimensions mm/inch

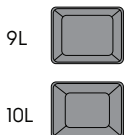
- 1a** W x H x D 183 x 180 x 195mm (7 1/8 x 7 1/8 x 7 1/8")
- 1b** W x H x D 183 x 370 x 219mm (7 1/8 x 14 5/8 x 8 5/8")
- 1c** W x H x D 293 x 430 x 219mm (11 5/8 x 16 15/16 x 8 5/8")
- 1d** W x H x D 365 x 460 x 219mm (14 3/8 x 18 1/8 x 8 5/8")
- 1e** W x H x D 438 x 359 x 219mm (17 1/4 x 14 1/8 x 8 5/8")
- 1f** W x H x D 438 x 510 x 219mm (17 1/4 x 22 1/8 x 8 5/8")
- 1g** W x H x D 438 x 510 x 219mm (17 1/4 x 22 1/8 x 8 5/8")

- 2a** W x H x D 205 x 90 x 195mm (20 1/2 x 22 1/8 x 19 1/8")
- 2b** W x H x D 205 x 180 x 195mm (20 1/2 x 22 1/8 x 19 1/8")

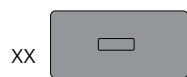
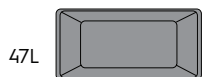
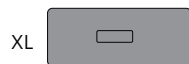
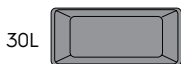
Compost Bins



Waste Bins



Lids



Order Information

1 Waste Bins, sold individually

Volume	Lid Size	Part#
1a 9L	SM	041-PCO-SM09G
1b 10L	SM	041-PCO-SM10G
1c 20L	ME	041-PCO-ME20G
1d 30L	LA	041-PCO-LA30G
1e 33L	XL	041-PCO-XL33G
1f 36L	XL	041-PCO-XL36G
1g 47L	XX	041-PCO-XX47G



2 Compost Bins

Volume	Lid Size	Part#
2a 3L	SM	041-PCO-SM03
2b 5L	SM	041-PCO-SM05



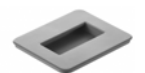
3 Lids with Carbon Filter

Bin Size	Part#
3, 5, 7, 9, 10L	041-PCO-SM
15L, 20L	041-PCO-ME
16L, 30L	041-PCO-LA
33L, 36L	041-PCO-XL



4 Basic Lids without Carbon Filter

Bin Size	Part#
47L	041-PCO-XX



5 Carbon Filters, 5 Pack

Part#
041-PCSF



Watch this space for a brand new Waste Bin Storage System coming **Summer 2020**.

PRODUCT FEATURES

UBStor Infinity Waste Storage System for doublewall drawers. Modern European design with easily accessible bins. Includes a removable metal lid that serves a dual purpose as a shelf.

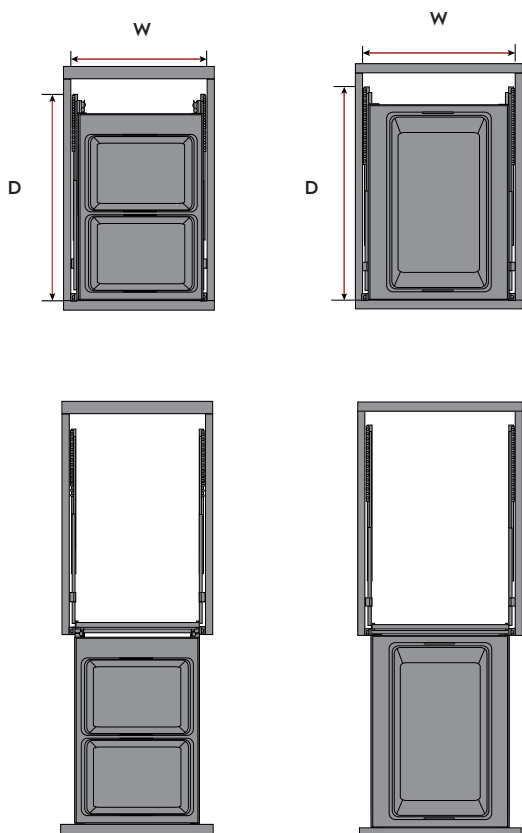
- Designed for 400mm (15-3/4") cabinets
- Side-Mount Installation
- Requires 500mm soft-close doublewall drawer system (sold separately)
- Shown here installed with DTC Infinity Doublewall drawer system
- Doublewall drawer system provides door adjustment
- Available finishes: Grey or White
- Different versions have 2 x 13L, 2 x 18L and 35L bin sizes
- Shown here is the model with 2 x 18L bins
- Load capacity: 40kg (88lbs)



Planning

Minimum Interior Cabinet Dimensions mm/inch

- 1 W x H x D 362 - 368 x 340 x 506mm (14 1/4 - 14 1/2 x 13 3/8 x 19 15/16")
- 2 W x H x D 362 - 368 x 470 x 506mm (14 1/4 - 14 1/2 x 18 1/2 x 19 15/16")
- 3 W x H x D 362 - 368 x 570 x 506mm (14 1/4 - 14 1/2 x 22 3/8 x 19 15/16")



Order Information

1 UBStor Infinity Kit, 400mm Cabinet with 2 x small 13L bins

W x H x D
362 - 368 x 340 x 506mm
(14 1/4 - 14 1/2 x 13 3/8 x 19 15/16")

Colour	Part#
White	04-UB400-13S-W
Light Grey	04-UB400-13S-G



2 UBStor Infinity Kit, 400mm Cabinet with 2 x medium 18L bins

W x H x D
362 - 368 x 470 x 506mm
(14 1/4 - 14 1/2 x 18 1/2 x 19 15/16")

Colour	Part#
White	04-UB400-18S-W
Light Grey	04-UB400-18S-G



3 UBStor Infinity Kit, 400mm Cabinet with 1 large 35L bin

W x H x D
362 - 368 x 570 x 506mm
(14 1/4 - 14 1/2 x 22 3/8 x 19 15/16")

Colour	Part#
White	04-UB400-35S-W
Light Grey	04-UB400-35S-G



4 DTC Infinity Doublewall Drawer, 500mm Length

Colour	Part#
White	105-MA500W
Light Grey	105-MA500G

UBStor Infinity Waste Storage



PRODUCT FEATURES

UBStor Infinity Waste Storage System for doublewall drawers. Modern European design with easily accessible bins. Includes a removable metal lid that serves a dual purpose as a shelf.

- Designed for 450mm (17-3/4") cabinets
- Side-Mount Installation
- Requires 500mm soft-close doublewall drawer system (sold separately)
- Shown here installed with DTC Infinity Doublewall drawer system
- Doublewall drawer system provides door adjustment
- Available finishes: Grey or White
- Included are 2 x 27L bins
- Load capacity: 40kg (88lbs)

Order Information

1 UBStor Infinity Kit, 450mm Cabinet with 2 x 27L bins



W x H x D
412 - 418 x 570 x 506mm
(16 1/4 - 16 7/8 x 22 7/8 x 19 15/16")

Colour	Part#
White	04-UB450-27S-W
Light Grey	04-UB450-27S-G

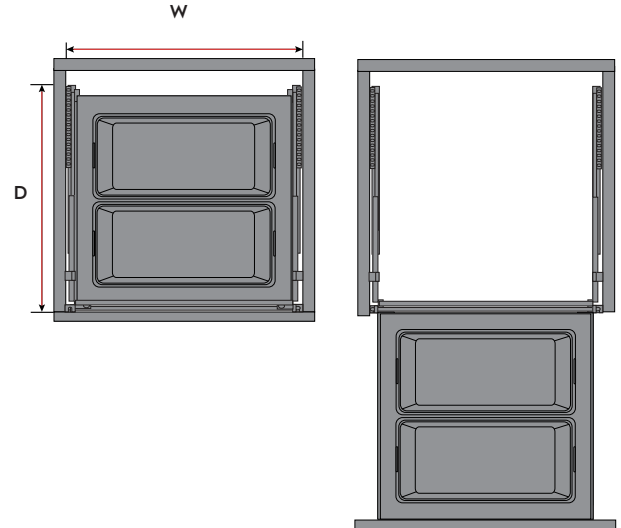
2 DTC Infinity Doublewall Kit, 500mm Length

Colour	Part#
White	105-MA500W
Light Grey	105-MA500G

Planning

Minimum Interior Cabinet Dimensions mm/inch

W x H x D 412 - 418 x 570 x 506mm (16 1/4 - 16 7/8 x 22 7/8 x 19 15/16")



PRODUCT FEATURES

UBStor Infinity Waste Storage System for doublewall drawers. Modern European design with easily accessible bins. Includes a removable metal lid that serves a dual purpose as a shelf.

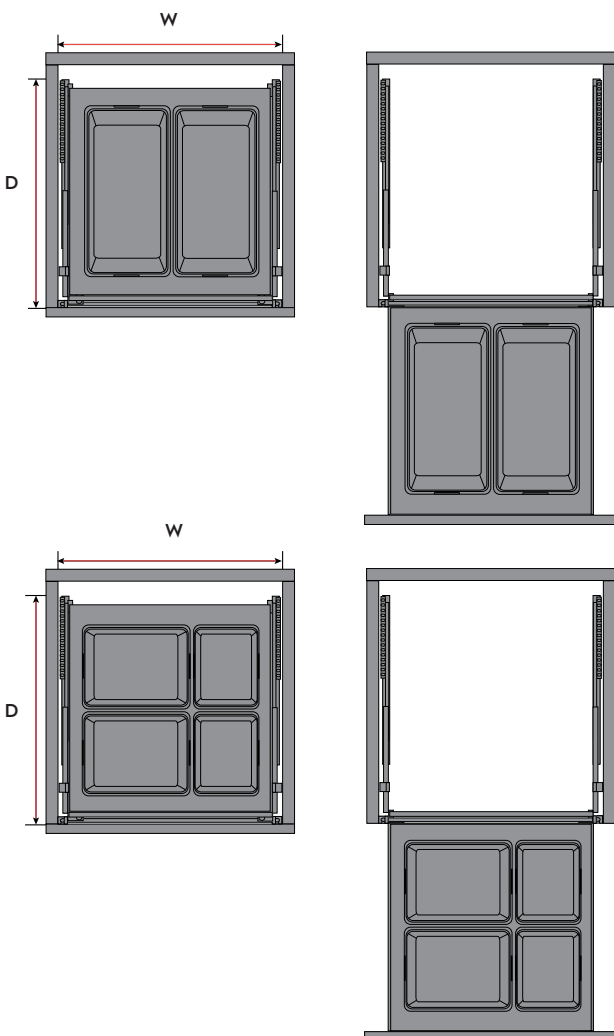
- Designed for 600mm (23-5/8") cabinets
- Side-Mount Installation
- Requires 500mm soft-close doublewall drawer system (sold separately)
- Shown here installed with DTC Infinity Doublewall drawer system
- Doublewall drawer system provides door adjustment
- Available finishes: Grey or White
- This wider version has 2 large 35L bins
- Load capacity: 40kg (88lbs)



Planning

Minimum Interior Cabinet Dimensions mm/inch

W x H x D 600 x 570 x 506mm (23 5/8 x 22 7/8 x 19 3/8")



Order Information

1 UBStor Infinity Kit, 600mm Cabinet with 2 x large 35L bins

W x H x D
600 x 570 x 506mm
(23 5/8 x 22 7/8 x 19 3/8")



Colour

Part#

White

04-UB600-35S-W

Light Grey

04-UB600-35S-G

1 UBStor Infinity Kit, 600mm Cabinet with 2 x 21L and 2 x 9L bins

W x H x D
600 x 570 x 506mm
(23 5/8 x 22 7/8 x 19 3/8")



Colour

Part#

White

04-UB600-60S-W

Light Grey

04-UB600-60S-G

2 DTC Infinity Doublewall Drawer, 500mm Length

Colour

Part#

White

105-MA500W

Light Grey

105-MA500G

UBStor Classic Waste Storage



PRODUCT FEATURES

UBStor Classic waste storage system. Modern European design with easily accessible bins. Side-mounted on soft-close full extension ball-bearing slides. Includes a fixed metal lid that serves a dual purpose as a shelf.

- Designed for 400mm (15-3/4") cabinets
- Side-Mount Installation, spacers included for 5/8" or 3/4" gables
- Available finishes: Grey or White
- Different versions have 2 x 13L, 2 x 18L and 35L bin sizes
- Pictured here is the model with 2 x 18L medium bins
- Soft-close full-extension slides
- Load capacity: 45kg (100lbs)

Order Information

1 UBStor Classic Kit, 400mm Cabinet with 2 x small 13L bins



W x H x D
362 - 368 x 340 x 506mm
(14 1/4 - 14 1/2 x 13 3/8 x 19 15/16")

Colour	Part#
White	04-UB400-13NS-W
Light Grey	04-UB400-13NS-G

2 UBStor Classic Kit, 400mm Cabinet with 2 x medium 18L bins



W x H x D
362 - 368 x 470 x 506mm
(14 1/4 - 14 1/2 x 18 1/2 x 19 15/16")

Colour	Part#
White	04-UB400-18NS-W
Light Grey	04-UB400-18NS-G

3 UBStor Classic Kit, 400mm Cabinet with 1 large 35L bin



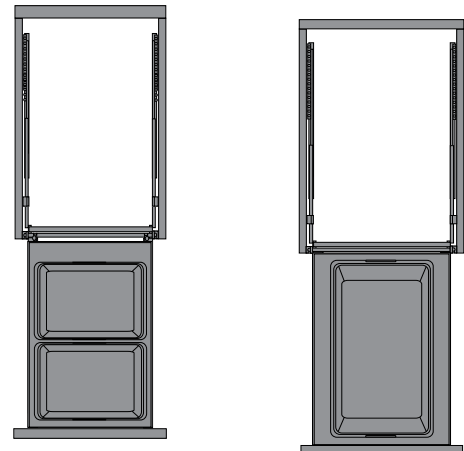
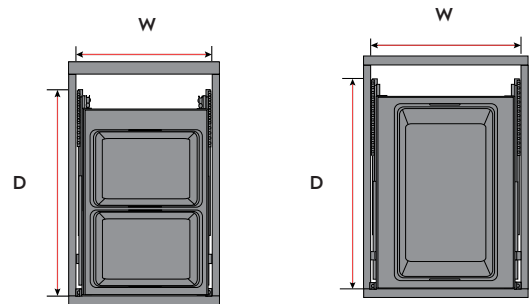
W x H x D
362 - 368 x 570 x 506mm
(14 1/4 - 14 1/2 x 22 7/16 x 19 5/16")

Colour	Part#
White	04-UB400-35NS-W
Light Grey	04-UB400-35NS-G

Planning

Minimum Interior Cabinet Dimensions mm/inch

- 1 W x H x D 362 - 368 x 340 x 506mm (14 1/4 - 14 1/2 x 13 3/8 x 19 15/16")
- 2 W x H x D 362 - 368 x 470 x 506mm (14 1/4 - 14 1/2 x 18 1/2 x 19 15/16")
- 3 W x H x D 362 - 368 x 570 x 506mm (14 1/4 - 14 1/2 x 22 7/16 x 19 5/16")



PRODUCT FEATURES

Waste pullout featuring soft-close slides includes frame and plastic waste bins with fliptop lid. Attractive chrome wire pullout.

- Recommended cabinet width: 300 or 400mm (12 or 16")
- Bottom mounted; easy to install
- Suitable for door-mount or hinge door
- Shown in picture with door mount bracket (sold separately)
- Soft-close full-extension slides
- Large 30L bin with flip top lids
- Load capacity: 25kg (55lbs)

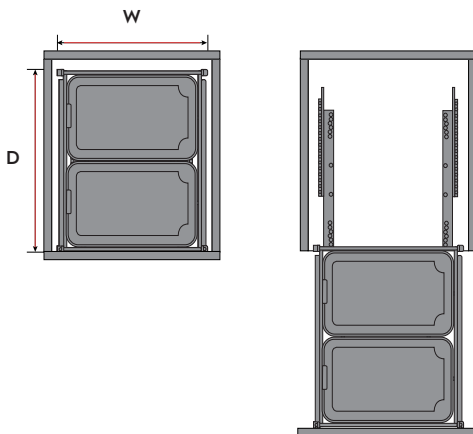
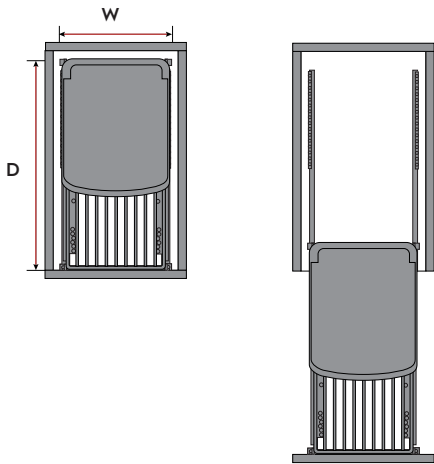


Planning

Minimum Interior Cabinet Dimensions mm/inch

W x H x D 252 x 467 x 484mm (9 1/8 x 18 3/8 x 19 1/8")

W x H x D 344 x 464 x 520mm (13 5/8 x 18 1/4 x 20 1/2")



Order Information

1a Single Bin Fliptop Waste Pullout, for 12" (300mm) cabinets

W x H x D
252 x 467 x 484mm
(9 1/8 x 18 3/8 x 19 1/8")

Part#

041-FJ132-C



1b Double Bin Fliptop Waste Pullout, for 16" (400mm) cabinets

W x H x D
344 x 436 x 520mm
(13 5/8 x 18 1/4 x 20 1/2")

Part#

041-FJ162-C



2 Door-Mount Bracket (sold separately)

Description

Part#

Heavy Duty
Tall Bracket

041-FJ10B-1



Small Frame Waste System



PRODUCT FEATURES

Sliding frame set for waste and recycling storage on bottom-mounted soft-close full-extension slides.

- Best suited for 300mm (12") cabinets
- Bottom mounted; easy to install
- Door mount bracket included
- Soft-close full-extension slides
- Bins sold separately
- Can be used with 1 large or 2 small bin configurations
- Load capacity: 20kg (44lbs)

Order Information

1 Double Bin Frame Waste Kit



W x H x D
259 x 489 x 500mm
(10 3/8 x 19 1/4 x 19 1/8")

Part#

041-FJ135

2a Small Waste Bins, 15L



W x H x D
237 x 457 x 237
(9 3/8 x 18 x 9 3/8")

Colour

Part#

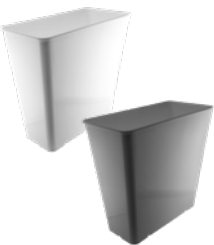
White

041-F5301

Silver Grey

041-F5305

2b Large Waste Bins, 35L



W x H x D
237 x 457 x 479mm
(9 3/8 x 18 x 18 7/8")

Colour

Part#

White

041-F5601

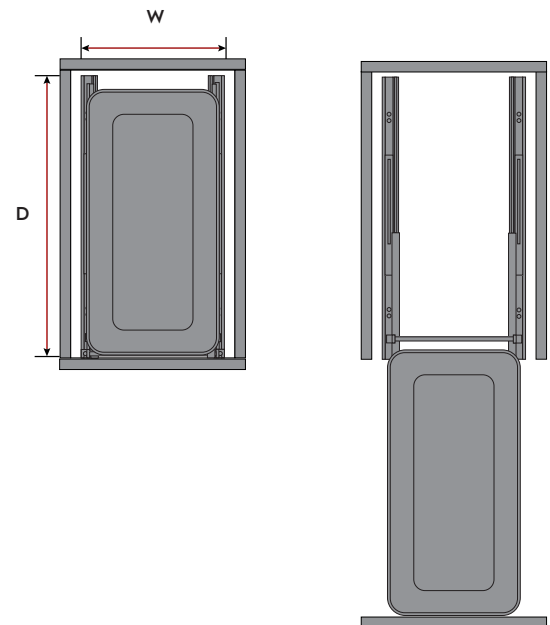
Silver Grey

041-F5605

Planning

Minimum Interior Cabinet Dimensions mm/inch

W x H x D 259 x 489 x 500mm (10 3/8 x 19 1/4 x 19 1/8")



*1 bin version shown with 1 large bin.

PRODUCT FEATURES

Sliding frame set for waste and recycling storage on bottom-mounted soft-close full-extension slides.

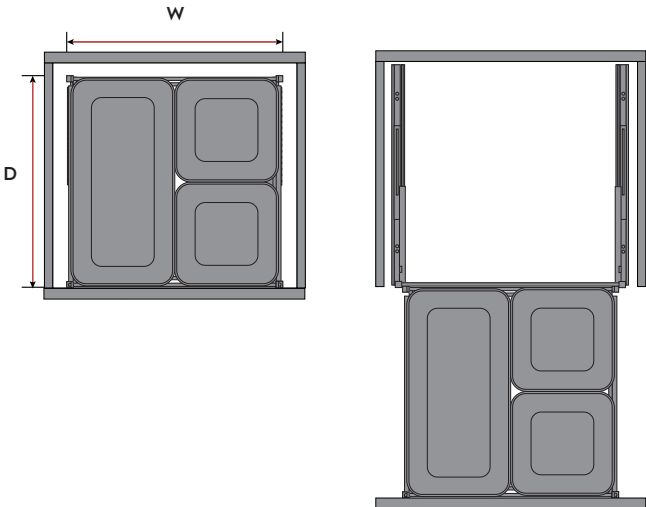
- Best suited for 600mm (24") cabinets
- Bottom mounted; easy to install
- Door mount bracket included
- Soft-close full-extension slides
- Bins sold separately
- Can be used with 2, 3 or 4 bin configurations
- Load capacity: 20kg (44lbs)



Planning

Minimum Interior Cabinet Dimensions mm/inch

W x H x D 564 x 489 x 500mm (22 3/8 x 19 1/4 x 19 1/8")



Order Information

1 Large Frame Waste System Kit, Soft-Close

W x H x D
564 x 489 x 500mm
(22 3/8 x 19 1/4 x 19 1/8")

Part#

041-FJ165



2a Small Waste Bins, 15L

W x H x D
237 x 457 x 237
(9 3/8 x 18 x 9 3/8")

Colour

Part#

White

041-F5301

Silver Grey

041-F5305



2b Large Waste Bins, 35L

W x H x D
237 x 457 x 479mm
(9 3/8 x 18 x 18 7/8")

Colour

Part#

White

041-F5601

Silver Grey

041-F5605



*3 bins version shown with 1 large and 2 small bins.

Classic Waste Pullout for Hinged Door



PRODUCT FEATURES

Waste pullout runs on full-extension self-closing ball-bearing slide. Various bin options and sizes that all mount to the bottom and include integrated plastic cover. The classic waste pullout is the best economic solution for waste recycling in your kitchen.

- Bottom mounted for easy installation
- Multiple bin options available
- Integrated cover to prevent pesky odours
- Hinged door only
- Load capacity: 25kg (55lbs)

Order Information

1 Classic Waste Pullout, Self-Close Slide, 3 Bins (2 x 10L, 1 x 20L)



W x H x D
344 x 412 x 480mm
(13 5/8 x 16 1/4 x 18 7/8")

Color	Part#
White	04-1011-W
Athracite Grey	04-1011-AG

2 Classic Waste Pullout, Self-Close Slide, 2 Bins (2 x 20L)



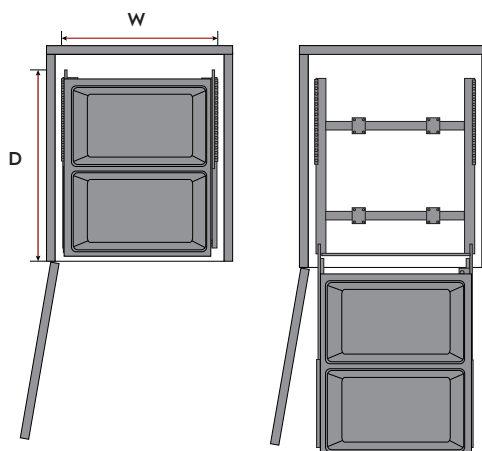
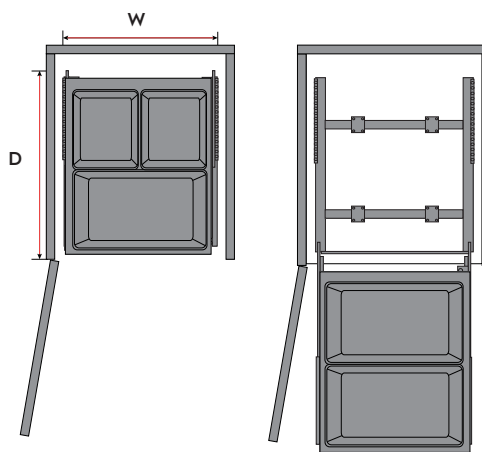
W x H x D
344 x 412 x 480mm
(13 5/8 x 16 1/4 x 18 7/8")

Color	Part#
White	04-1012-W
Athracite Grey	04-1012-AG

Planning

Minimum Interior Cabinet Dimensions mm/inch

- 1 W x H x D 344 x 412 x 480mm (13 5/8 x 16 1/4 x 18 7/8")
- 2 W x H x D 344 x 412 x 480mm (13 5/8 x 16 1/4 x 18 7/8")



PRODUCT FEATURES

Waste pullout runs on full-extension slide. Featuring an integrated door-mount bracket, there are various bin configurations, width and height dimensions, and slide closing options available. The classic waste pullout is the best economic solution for waste recycling in your kitchen.

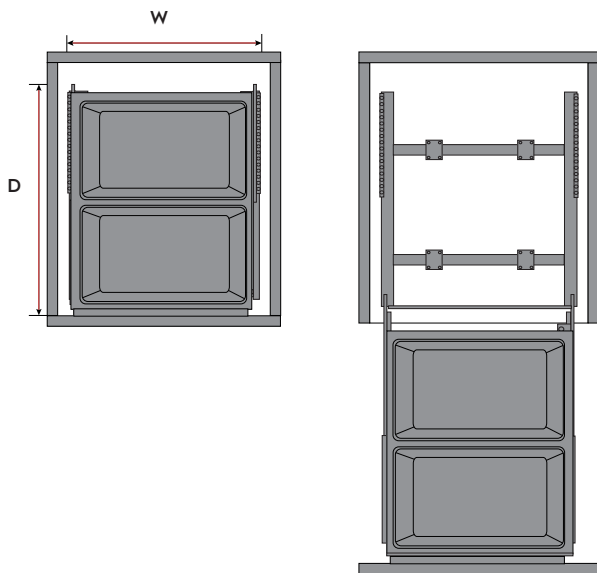
- Bottom mounted for easy installation
- Multiple bin options available
- Door-mount bracket included
- Integrated cover to prevent pesky odours
- Load capacity: 25kg (55lbs)



Planning

Minimum Interior Cabinet Dimensions mm/inch

- 1 W x H x D 420 x 410 x 496mm (16 5/8 x 16 1/8 x 19 1/2")
- 2 W x H x D 420 x 311 x 496mm (16 5/8 x 12 1/4 x 19 1/2")
- 3 W x H x D 260 x 412 x 480mm (10 1/4 x 16 1/8 x 18 7/8")



Order Information

1 Classic Waste Pullout, Soft-Close Slide, and 2 Bins (2 x 20L)

W x H x D
420 x 410 x 496mm
(16 5/8 x 16 1/8 x 19 1/2")

Color	Part#
White	04-1014-W
Athracite Grey	04-1014-AG



2 Classic Waste Pullout, Soft-Close Slide, and 2 Bins (2 x 15L)

W x H x D
420 x 311 x 496mm
(16 5/8 x 12 1/4 x 19 1/2")

Color	Part#
White	04-1015-W
Athracite Grey	04-1015-AG



3 Classic Waste Pullout, Self-Close Slide, with 2 Bins (1 x 20L, 1 x 10L)

W x H x D
260 x 412 x 480mm
(10 1/4 x 16 1/8 x 18 7/8")

Color	Part#
White	04-1018-W
Athracite Grey	04-1018-AG



Large Classic Waste Bin Pullout



PRODUCT FEATURES

Waste bin pullout with full-extension soft-close slides and integrated cover. The classic waste solution is the best economic solution for waste recycling in your kitchen.

- Bottom mounted; easy to install
- Soft-closing concealed slides
- Integrated cover to prevent pesky odours
- 2 x 34L bins included, with half-size 17L bins sold separately
- Can be setup with 2, 3 or 4 bins, substitute 2x17L bins for 1x34L
- Door mount included but hinge door compatible
- Load capacity: 25kg (55lbs)

Order Information

1 Waste Bin Pullout with 2x34L bins for 600mm (24") cabinets



W x H x D
550 x 537 x 496mm
(21 5/8 x 21 1/8 x 19 1/2")

Color	Part#
Anthracite Grey	04-1016-AG

2 Small 17L Bins (optional), replace one 34L bin with two 17L bins

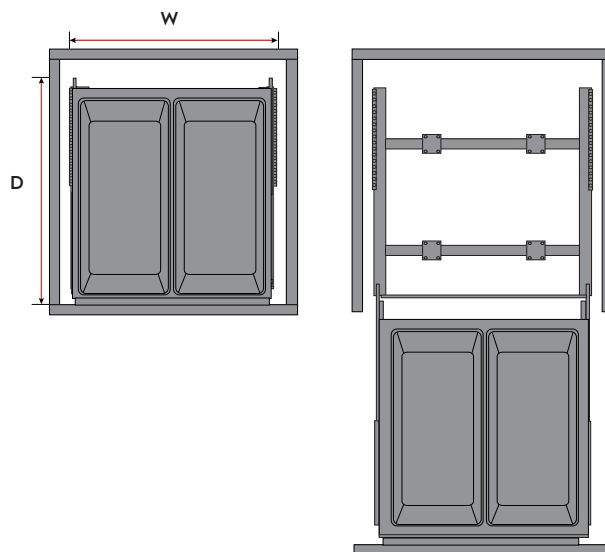


Color	Part#
Anthracite Grey	04-1016-AGBIN-17L

Planning

Minimum Interior Cabinet Dimensions mm/inch

W x H x D 550 x 537 x 496mm (21 5/8 x 21 1/8 x 19 1/2")



PRODUCT FEATURES

Round Stainless Steel/Grey Door Mounted Swing Out 15L Waste Bin.
Mount on door with full overlay hinges

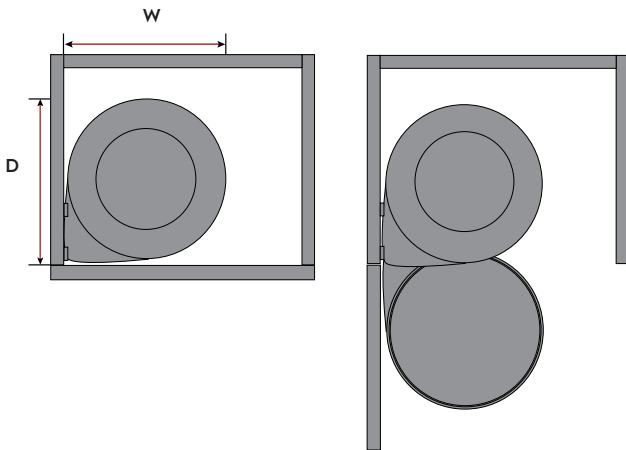
- Available finishes: Grey or White
- Universal mounting
- Lid raises on opening
- Stylish stainless steel
- Load capacity: 15kg (33lbs)



Planning

Minimum Interior Cabinet Dimensions mm/inch

W x H x D 365 x 400 x 330mm (14 3/8 x 15 3/4 x 13")



Order Information

1 Complete Kit

W x H x D
295 x 363 x 319mm
(14 1/2 x 15 1/2 x 15 3/4")

Color	Part#
White	04-1009-SSW
Grey	04-1009-SSG



LAUND



&

RY



Two areas of the home that have the least amount of space, both require exceptionally functional storage solutions.

From pullout hampers to undersink vanity drawers, laundry and bath solutions come in a variety of sizes and functionality to fit any project.

BATH

Infinity Laundry Hampers for Doublewall



PRODUCT FEATURES

Aesthetically pleasing, remarkably stable and reliable, the doublewall pull out laundry hamper system is an excellent addition to any laundry room. Loaded with single 35L or 48L easily removable basket, this must-have item simplifies the storage of soiled laundry.

- Two widths for 400 or 450mm (15 3/4" or 17 3/4") wide cabinets
- Available in an attractive white finish
- Requires 500mm soft-close doublewall drawer system (sold separately)
- Shown here installed with DTC Infinity Doublewall drawer system
- Doublewall drawer system provides door adjustment
- Removable baskets with breathable design and integrated handles
- Two basket sizes: 35L or 48L, both white colour
- Large door mount bracket for extra stability
- Load capacity: 40kg (88lbs)

Order Information

1a Doublewall Laundry Hamper, for 400mm (15 3/4") Cabinets



W x H x D
362 - 368 x 570 x 506mm
(14 1/4" - 14 1/2" x 22 7/8" x 19 15/16")

Bin Size	Part#
1 x 35L	04-LHB400-35X-W

1b Doublewall Laundry Hamper, for 450mm (17 3/4") Cabinets



W x H x D
412 - 418 x 545 x 506mm
(16 1/4" - 16 7/8" x 21 7/8" x 19 15/16")

Bin Size	Part#
1 x 48L	04-LHB450-48X-W

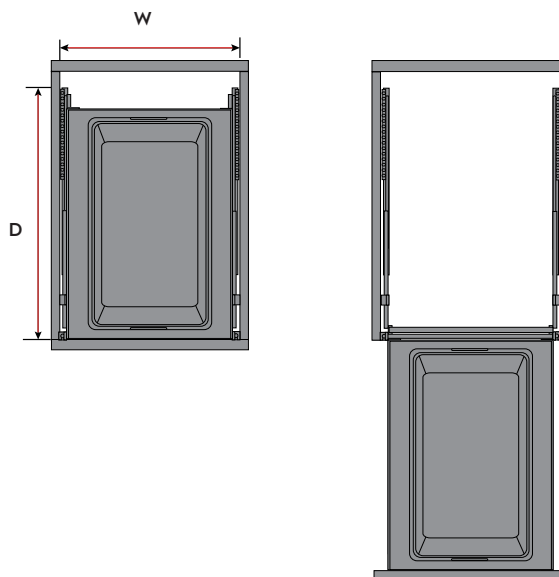
2 DTC Infinity Doublewall White 500mm, Required for Install

Part#
105-MA500W

Planning

Minimum Interior Cabinet Dimensions mm/inch

- 1a **W x H x D** 362 - 368 x 570 x 506mm (14 1/4" - 14 1/2" x 22 7/8" x 19 15/16")
 1b **W x H x D** 412 - 418 x 545 x 506mm (16 1/4" - 16 7/8" x 21 7/8" x 19 15/16")



PRODUCT FEATURES

Aesthetically pleasing, remarkably stable and reliable, the doublewall pull out laundry hamper system is an excellent addition to any laundry room. Loaded with two 35L easily removable baskets, this must-have item improves organization and simplifies the storage of soiled laundry.

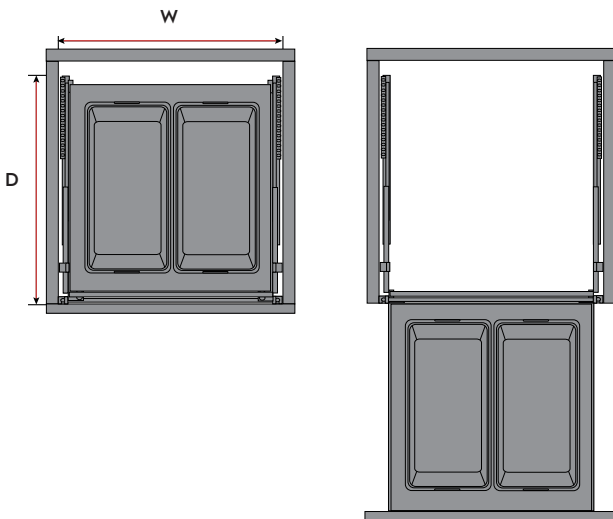
- Suitable for 600mm (23 5/8") wide cabinets
- Available in an attractive white finish
- Requires 500mm soft-close doublewall drawer system (sold separately)
- Shown here installed with DTC Infinity Doublewall drawer system
- Doublewall drawer system provides door adjustment
- Removable baskets with breathable design and integrated handles
- Two 35L baskets included, one white and one blue colour
- Large door mount bracket for extra stability
- Load capacity: 40kg (88lbs)



Planning

Minimum Interior Cabinet Dimensions mm/inch

W x H x D 562 - 568 x 570 x 506mm (22 1/8 - 22 3/8 x 22 3/8 x 19 1/8")



Order Information

- 1 Doublewall Laundry Hamper, for 600mm (23 5/8") Cabinets

W x H x D
562 - 568 x 570 x 506mm
(22 1/8 - 22 3/8 x 22 3/8 x 19 1/8")



Bin Size

2 x 35L

Part#

04-LHB600-35X-WB

- 2 DTC Infinity Doublewall White 500mm, Required for Install

Part#

105-MA500W

Flip Down Laundry Hampers



PRODUCT FEATURES

The Flip Down Laundry Hamper is the best option for small laundry rooms and tight spaces like closets. Concealed behind a cabinet door that tilts out to allow full access to the removable basket, this hamper option is designed perfectly to store soiled laundry and save space.

- Suits 18" or 450mm wide cabinets
- Door mount works for both slab and shaker doors
- Tilt out support arms included, along with a soft-close damper
- Requires pair of standard cabinet hinges at the bottom of cabinet/door (sold separately)
- Adjust your door alignment with your hinges (depending on model)
- Removable baskets with breathable design and integrated handles
- Narrow depth suits closets (less than 11 or 14" depth required)
- Load Capacity: 10 kg (22 lbs)

Order Information

1 Flip-Down Laundry Hamper, for 450mm or 18" Cabinets



W x H x D
400 x 552 x 261mm
(15 3/4 x 21 3/4 x 10 1/4")

Bin Selection	Part#
1 x 35L	04-LHF450-35-W

2 Flip-Down Laundry Hamper, for 450mm or 18" Cabinets



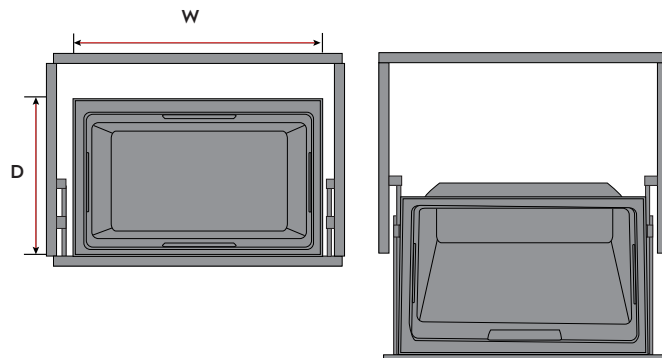
W x H x D
400 x 530 x 346mm
(15 3/4 x 20 7/8 x 13 5/8")

Bin Selection	Part#
1 x 48L	04-LHF450-48-W

Planning

Minimum Interior Cabinet Dimensions mm/inch

- 1** W x H x D 400 x 552 x 261mm (15 3/4 x 21 3/4 x 10 1/4")
- 2** W x H x D 400 x 530 x 346mm (15 3/4 x 20 7/8 x 13 5/8")



PRODUCT FEATURES

The bottom mounted wire frame laundry hamper offers flexibility in design and ease of installation. Door mount bracket included but could also be installed with a hinged door. Convenient and easy way to store soiled laundry and save space.

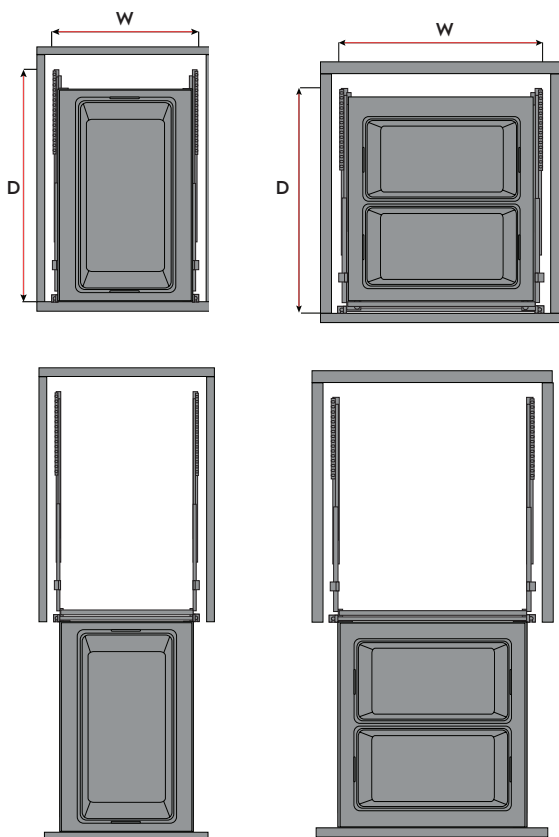
- Suits 12, 15 or 18" (300, 400 or 450mm) outside width cabinets
- Door mount bracket works for both slab and shaker doors
- Door mount bracket offers 6-way adjustment of door
- Removable baskets with breathable design and integrated handles
- Fits in vanities with depth of 21" and in cabinets with 6" top drawers
- Very simple and easy installation to bottom of cabinet
- Soft-close full-extension slide
- Load Capacity: 30 kg (66 lbs)



Planning

Minimum Interior Cabinet Dimensions mm/inch

- 1** W x H x D 248 x 570 x 477mm (9 3/4 x 22 7/16 x 18 3/4")
- 2** W x H x D 340 x 545 x 477mm (13 3/8 x 21 7/16 x 18 3/4")
- 3** W x H x D 392 x 570 x 497mm (15 7/16 x 22 7/16 x 19 9/16")



Order Information

1 Laundry Hamper, for 300mm or 12" Cabinets

W x H x D
248 x 570 x 477mm
(9 3/4 x 22 7/16 x 18 3/4")



Bin Selection

Part#

1 x 35L

04-LHW300-35S-W

2 Laundry Hamper, for 400mm or 15" Cabinets

W x H x D
340 x 545 x 477mm
(13 3/8 x 21 7/16 x 18 3/4")



Bin Selection

Part#

1 x 48L

04-LHW400-48S-W

3 Laundry Hamper, for 450mm or 18" Cabinets

W x H x D
392 x 570 x 497mm
(15 7/16 x 22 7/16 x 19 9/16")



Bin Selection

Part#

2 x 35L

04-LHW450-35S-WB

Syphon Plus



PRODUCT FEATURES

The Syphon Plus is the perfect fit for use as a plumbing cutout in your vanities.

- Simple and easy to install
- Rigid plastic snaps together and fits radius of 20
- Centre piece can be either length, does not need to match
- Works with 16mm (5/8") bottom panel
- Covers edge of bottom, hiding some chipout
- Two modern colours: White and Light Grey

Order Information

1 Syphon Plus, Centre Piece, sold per each

	Length	Finish	Part#
	250mm	Light Grey	04-1661-250G-C
	250mm	White	04-1661-250W-C
	300mm	Light Grey	04-1661-300G-C
	300mm	White	04-1661-300W-C

2 Syphon Plus, Left Side Piece, sold per each

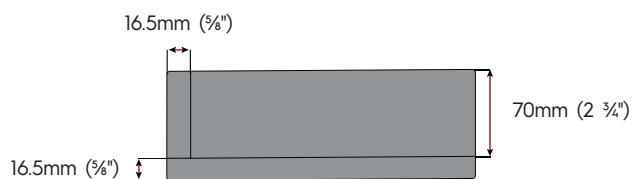
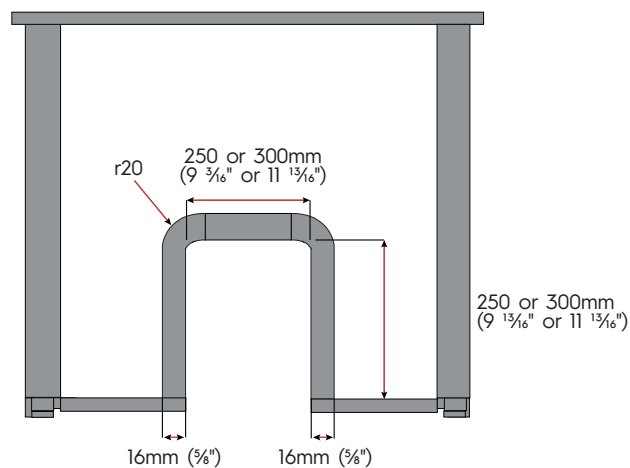
	Length	Finish	Part#
	250mm	Light Grey	04-1661-250G-L
	250mm	White	04-1661-250W-L
	300mm	Light Grey	04-1661-300G-L
	300mm	White	04-1661-300W-L

3 Syphon Plus, Right Side Piece, sold per each

	Length	Finish	Part#
	250mm	Light Grey	04-1661-250G-R
	250mm	White	04-1661-250W-R
	300mm	Light Grey	04-1661-300G-R
	300mm	White	04-1661-300W-R

Planning

Cutout Dimensions mm/inch



PRODUCT FEATURES

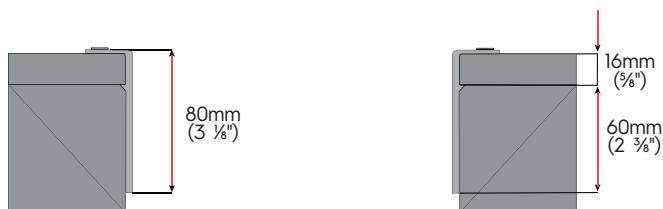
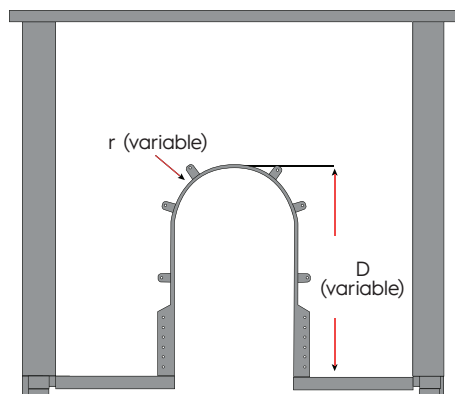
The Syphon Flex is the perfect fit for use as a plumbing cutout in your vanities.

- Flexible plastic can be fit into radiused cutouts
- Simple and easy to install
- Works with 16mm (5/8") bottom panel
- Covers edge of bottom, hiding some chipout
- Three modern colours
- Total Length 680mm (26 3/4")
- Box Qty: 40 per Box



Planning

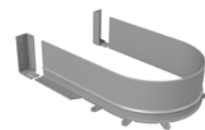
Cutout Dimensions mm/inch



Order Information

1 Syphon Flex

Finish	Part#
White	04-1660-WH
Light Grey	04-1660-GR
Graphite	04-1660-GP





SHELV



Our modular shelving systems from Eureka provide you the ability to add extra storage and shelving virtually anywhere in the home.

Standalone or integrated into cabinetry, these high-quality and easy-to-install solutions will truly impress your clients with a chic, yet functional aesthetic.

ING

Eureka SLIM 3 Metre Aluminum Profile

Finish	Part#
Anodized Aluminum	035-3520-AN
Matte Black	035-3520-MB



Eureka SLIM Wardrobe Tube Holder

Finish	Part#
Anodized Aluminum	035-3529-AN
Matte Black	035-3529-MB



Eureka SLIM Cabinet / Shelf Holder

Finish	Part#
Anodized Aluminum	035-3521-AN
Matte Black	035-3521-MB





Eureka SLIM Wall or Ceiling Connectors	
Finish	Part#
Anodized Aluminium	035-3524-AN
Matte Black	035-3524-MB

Eureka SLIM Angled Holder for Wooden Shelves	
Finish	Part#
Anodized Aluminium	035-3428-AN
Matte Black	035-3428-MB

Eureka Slim Modular Shelving System



PRODUCT FEATURES

Eureka SLIM is a chic, modular shelving system. The aluminum pieces can be cut-to-size in your shop or on-site and are easily affixed to the floor, ceiling, and walls.

- Modular system can be customized to any space
- Multiple attachments available
- For use in closets, living rooms, offices, and retail spaces
- Load capacity: 30kg (66lbs) per pair of holders

Order Information

Aluminum Profiles, 3m (118")



Finish	Part#
Anodized Matte	035-3520-AN
Matte Black	035-3520-MB

Wall Connectors for Rear or Ceiling



Finish	Part#
Anodized Matte	035-3524-AN
Matte Black	035-3524-MB

Ceiling Connector with Adjustable Angle



Finish	Part#
Anodized Matte	035-3530-AN
Matte Black	035-3530-MB

Adjustable Leveling Legs



Finish	Part#
Anodized Matte	035-3523-AN
Matte Black	035-3523-MB

Flat Shelf Holder



Finish	Part#
Anodized Matte	035-3521-AN
Matte Black	035-3521-MB

Planning

Scan QR Code or
visit our website to
learn more about
Eureka SLIM

<http://mfh.to/slim>



PRODUCT FEATURES

Eureka SLIM is a chic, modular shelving system. The aluminum pieces can be cut-to-size in your shop or on-site and are easily affixed to the floor, ceiling, and walls.

- Modular system can be customized to any space
- Multiple attachments available
- For use in closets, living rooms, offices, and retail spaces
- Load capacity: 30kg (66lbs) per pair of holders



Planning

Scan QR Code or visit our website to learn more about Eureka SLIM

<http://mfh.to/slim>



Order Information

Angled Shelf Holder

Finish	Part#
Anodized Matte	035-3428-AN
Matte Black	035-3428-MB



Closet Rod Holder, for Oval Closet Rods

Finish	Part#
Anodized Matte	035-3529-AN
Matte Black	035-3529-MB



Closet Rod, Oval 15x30mm Shape, 8' Length

Finish	Part#
Anodized Matte	04-5210-AN
Matte Black	04-5210-MB



Intermediate Support Bracket

Finish	Part#
Anodized Matte	035-3532-AN
Matte Black	035-3532-MB



Note: Wall Connectors for Rear or Ceiling required to install. See page 106.

Top Mount Bracket, for Glass Shelves or Cabinets

Finish	Part#
Anodized Matte	035-3522-AN
Matte Black	035-3522-MB



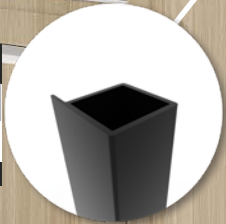
Eureka FLOAT Aluminum Profile Bar

Item Description	Part#
2800mm Matte Black	086-1AUSI-MB



Eureka FLOAT Aluminum Profile Bar with Shelf Holder

Item Description	Part#
2800mm Matte Black	086-2AUSI-MB



Eureka FLOAT Accessories

Item Description	Part#
Wall Mounting Clip Set, Matte Black	086-FIFXE-MB
Glass Shelf Spacer for 4mm Matte Black	086-K1PXE-MB
Wood Shelf Spacer 8-16mm Matte Black	086-K2PXE-MB



Eureka FLOAT Corner Connectors

Item Description	Part#
3 Way Corner A Side Matte Black	086-Z1ZXE-MB
3 Way Corner B Side Matte Black	086-Z2ZXE-MB
4 Way Corner C Side Matte Black	086-Z3ZXE-MB
4 Way Corner D Side Matte Black	086-Z4ZXE-MB
5 Way Corner Matte Black	086-Z5ZXE-MB



Eureka Float Open Shelving System



PRODUCT FEATURES

Eureka FLOAT is a chic, wall-mounted modular shelving system. Aluminum tubing can be cut-to-size in your shop or on-site. The customizable FLOAT shelving system can be assembled into countless configurations to float on the wall or integrate with new or existing cabinetry. Increase your product offering, profits, and productivity with this time-saving, on-trend solution from Eureka.

- Modular system can be customized to any space
- Cut-to-size aluminum channels
- For use in kitchens, living rooms, and bedrooms
- Clean connections with hidden screws
- Load capacity: 25kg (55lbs) per wall fixing

Order Information

Aluminum Bar, Matte Black 2800mm (110")



Part#

086-1AUSI-MB

Aluminum Bar with Shelf Lip, Matte Black 2800mm (110")



Part#

086-2AUSI-MB

Corner Connectors, Matte Black



Item Description

Part#

3 Way "A" Corner

086-Z1ZXE-MB

3 Way "B" Corner

086-Z2ZXE-MB



4 Way "C" Corner

086-Z3ZXE-MB



4 Way "D" Corner

086-Z4ZXE-MB

5 Way Corner

086-Z5ZXE-MB

Planning

Scan QR Code or
visit our website to
learn more about
Eureka FLOAT

<http://mfh.to/float>



PRODUCT FEATURES

Eureka FLOAT is a chic, wall-mounted modular shelving system. Aluminum tubing can be cut-to-size in your shop or on-site. The customizable FLOAT shelving system can be assembled into countless configurations to float on the wall or integrate with new or existing cabinetry. Increase your product offering, profits, and productivity with this time-saving, on-trend solution from Eureka.

- Modular system can be customized to any space
- Cut-to-size aluminum channels
- For use in kitchens, living rooms, and bedrooms
- Clean connections with hidden screws
- Load capacity: 25kg (55lbs) per wall fixing



Planning

Scan QR Code or
visit our website to
learn more about
Eureka FLOAT

<http://mfh.to/float>



Order Information

Shelf Spacers

Item Description	Part#
Glass Shelf Bracket for 4mm safety glass	086-K1PXE-MB
Wood Shelf Spacer for 8-16mm material	086-K2PXE-MB

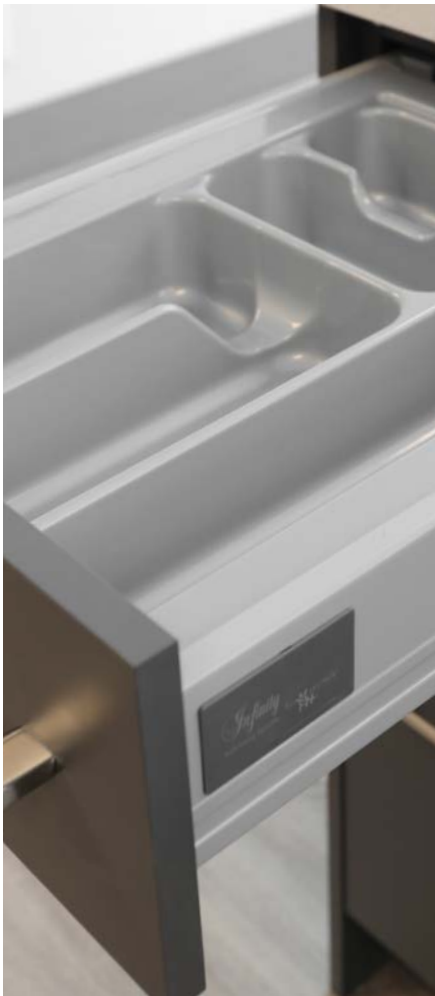


Accessories

Item Description	Part#
Wall Mounting Clip Set	086-F1FXE-MB
Extra Screw for Connectors	0FE-AMXXI-MB
Drill Marking Template	086-P1PRI



DRAWER



Make a home for every piece of cutlery or stemware by adding simple organizers to drawers and cabinets.

Eliminate unnecessary searching for specific items, free up more storage space, and produce a better workflow with these time-saving items.

ORGANI





ZATION

Cutlery Trays



PRODUCT FEATURES

Organize your cutlery according to type with trimmable plastic cutlery tray inserts available in different sizes.

- Suits both wooden and metal drawer boxes
- Durable polyurethane construction ensures a long product lifespan
- Designed to fit 20" or 22" depth drawer boxes with a larger trim range
- Multiple sizes and utensil slot combinations for an assortment of different drawers and storage options
- Available in white or dark grey

Order Information

Cutlery Trays, Dark Grey

H x D (Trimmable Range)
60 x 470 - 540mm
(2 3/8 x 18 1/2 - 21 1/4")



Trimmable Width (W)	Part#
1 270 - 330mm (10 5/8 - 13")	04-CT400CH-G
2 370 - 480mm (14 5/8 - 18 7/8")	04-CT500CH-G
3 470 - 580mm (18 1/2 - 22 13/16")	04-CT600CH-G
4 570 - 680mm (22 5/8 - 26 3/4")	04-CT700CH-G
5 670 - 780mm (26 3/8 - 30 11/16")	04-CT800CH-G
6 770 - 880mm (30 3/8 - 34 3/4")	04-CT900CH-G

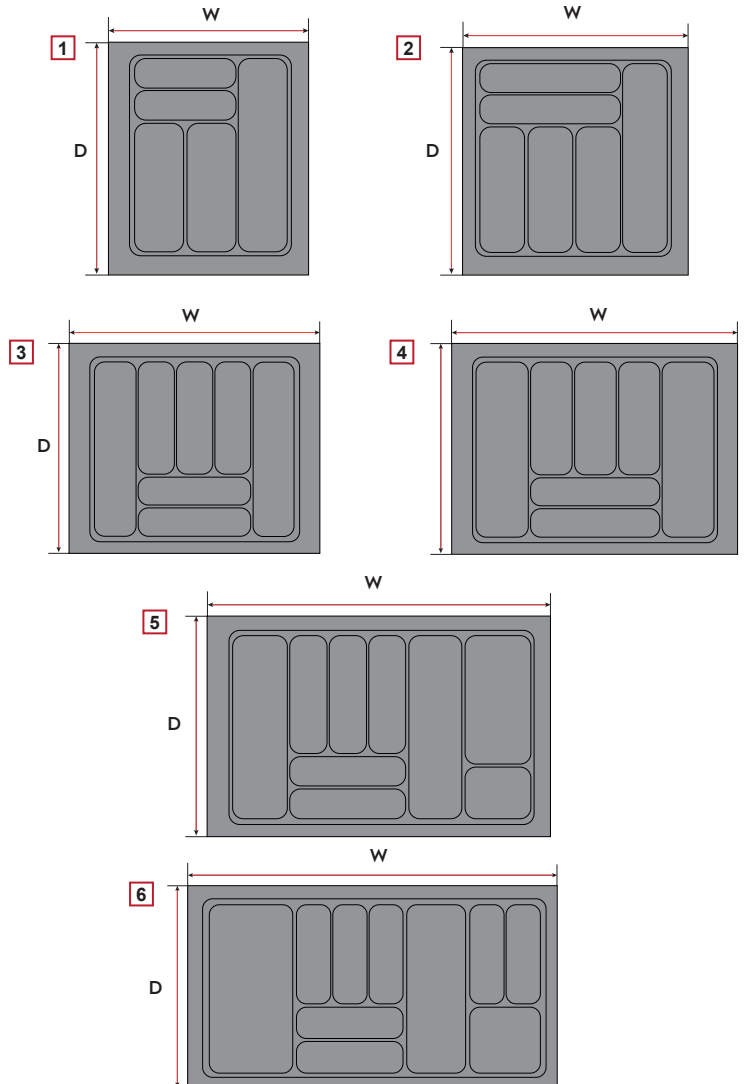
Cutlery Trays, White

H x D (Trimmable Range)
60 x 470 - 540mm
(2 3/8 x 18 1/2 - 21 1/4")



Trimmable Width (W)	Part#
1 270 - 330mm (10 5/8 - 13")	04-CT400CH-W
2 370 - 480mm (14 5/8 - 18 7/8")	04-CT500CH-W
3 470 - 580mm (18 1/2 - 22 13/16")	04-CT600CH-W
4 570 - 680mm (22 5/8 - 26 3/4")	04-CT700CH-W
5 670 - 780mm (26 3/8 - 30 11/16")	04-CT800CH-W
6 770 - 880mm (30 3/8 - 34 3/4")	04-CT900CH-W

Planning



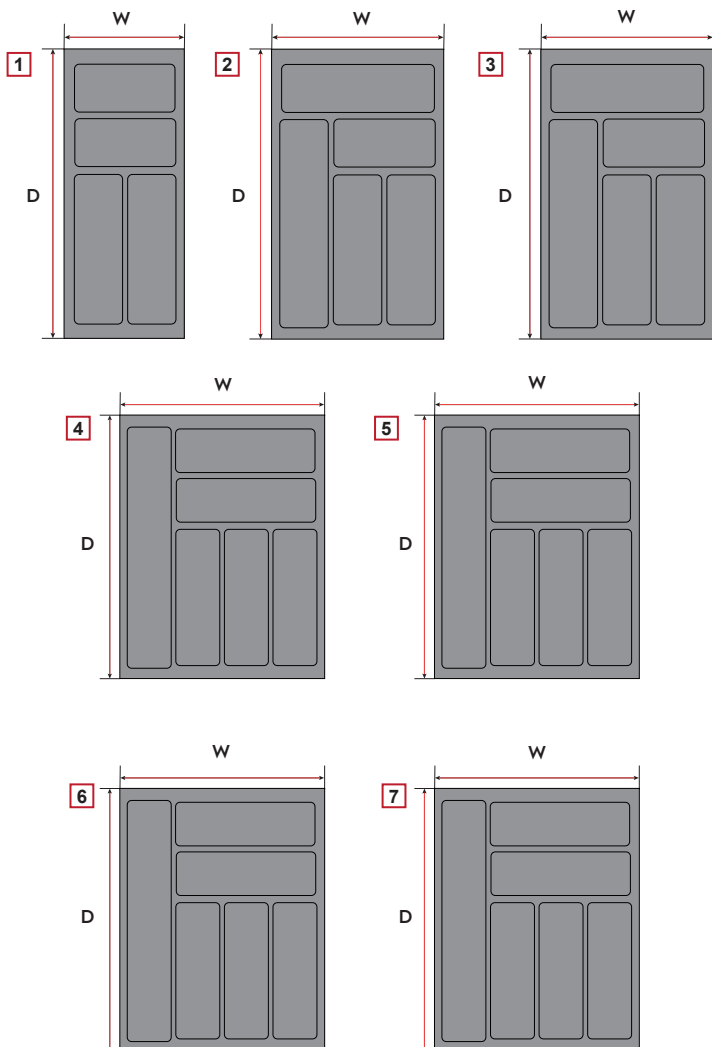
PRODUCT FEATURES

Organize your utensil drawer with a plastic cutlery tray insert.

- Available in 4, 5, 6, and 7 sections
- Trimmable width and depth range
- Durable, white plastic construction



Planning



Order Information

Multipurpose Trays, White

H x D (Trimmable Range)
50 x 432 - 546mm
(2 x 17 - 21 1/2")

	Trimmable Width (W)	Part#
1	197 - 248mm (7 3/4" - 9 3/4")	04-2630
2	241 - 298mm (9 1/2" - 11 3/4")	04-2635
3	292 - 349mm (11 1/2" - 13 3/4")	04-2640
4	343 - 400mm (13 1/2" - 15 3/4")	04-2645
5	394 - 451mm (15 1/2" - 17 3/4")	04-2650
6	451 - 502mm (17 3/4" - 19 3/4")	04-2655
7	495 - 552mm (19 1/2" - 21 3/4")	04-2660



Multipurpose Trays



PRODUCT FEATURES

Organize all the contents of your drawers with a multi-purpose drawer insert.

- Available in 2 or 3 sections
- Durable, white plastic construction

Order Information

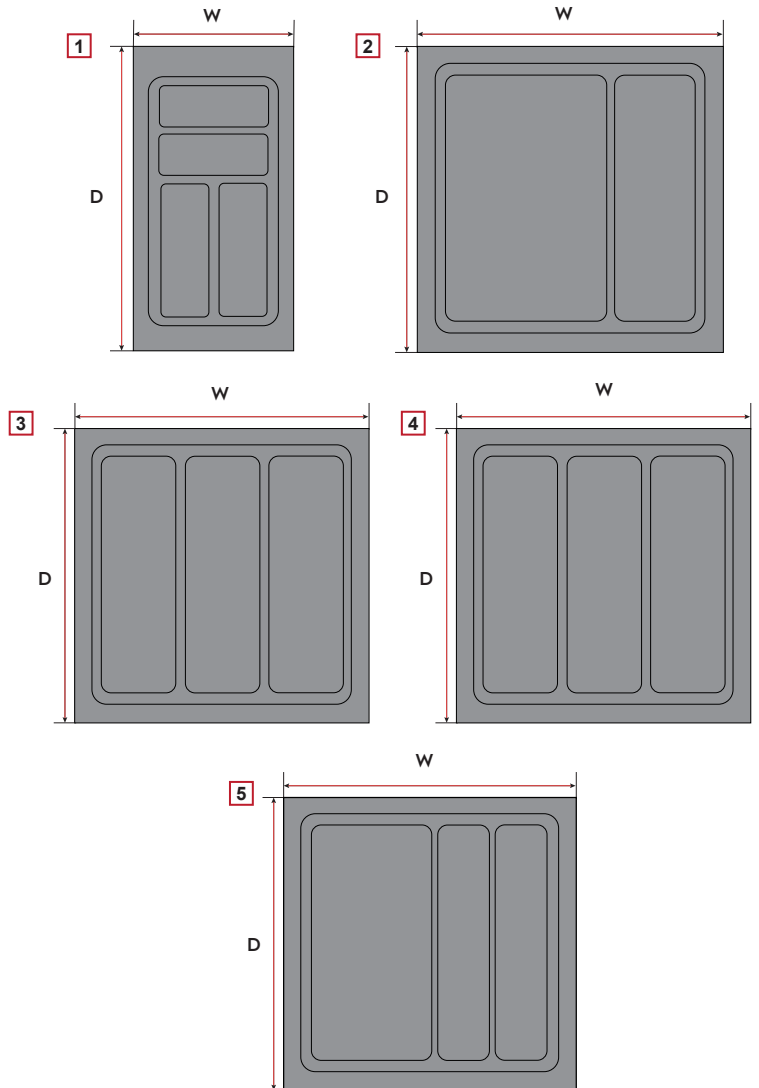
1 Multipurpose Utensil Trays



H x D (Trimable Range)
50 x 432 - 546mm
(2 x 17 - 21 1/2")

	Trimable Width (W)	Part#
1	298 - 349mm (11 1/2 - 13 3/4")	04-2740
2	349 - 400mm (13 3/4 - 15 3/4")	04-2745
3	387 - 451mm (15 1/4 - 17 3/4")	04-2750
4	438 - 502mm (17 1/4 - 19 3/4")	04-2755
5	495 - 552mm (19 1/2 - 21 3/4")	04-2760

Planning



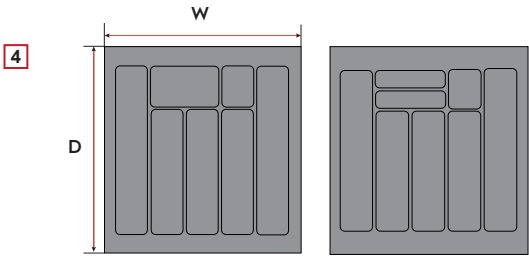
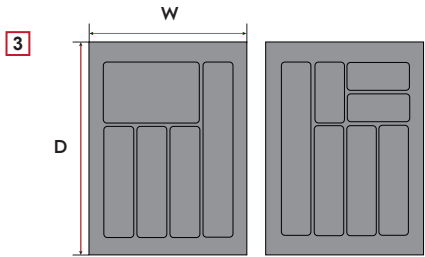
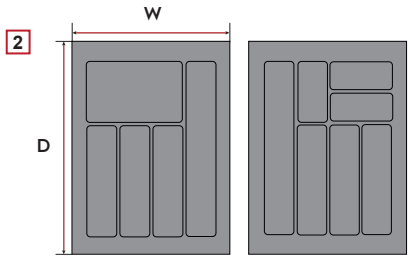
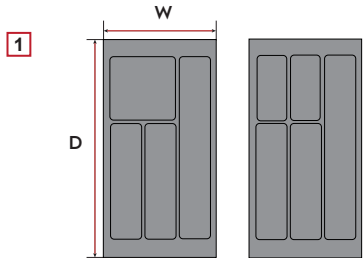
PRODUCT FEATURES

Organize all the contents of your drawers with a multi-purpose drawer insert. This unit has two levels with an integrated ball-bearing slide which can slide back into your cabinet to reveal a second hidden level.

- Double layers with sliding top level
- Durable, white plastic construction
- Suitable for drawer depths from 17 to 21 1/2"
- Drawer back requires shorter height to enable sliding level



Planning



Order Information

Double Layer Cutlery Trays

H x D (Trimmable Range)
85 x 437 - 546mm
(3 3/8 x 17 3/8 - 21 1/2")

Trimmable Width (W)	Part#
1 292 - 349mm (11 1/2 - 13 3/4")	04-2940
2 343 - 400mm (13 1/2 - 15 3/4")	04-2945
3 394 - 451mm (15 1/2 - 17 3/4")	04-2950
4 495 - 552mm (19 1/2 - 21 3/4")	04-2960



Spice Tray Insert



PRODUCT FEATURES

The spice tray organizes spices and other small items into four inclined rows for easy access. Made of polystyrene, these trays can be trimmed to fit your drawer's internal width and are easy to clean.

- 4 inclined rows
- Durable polystyrene with glossy white finish
- Can trim to the internal drawer width

Order Information

Spice Tray Insert

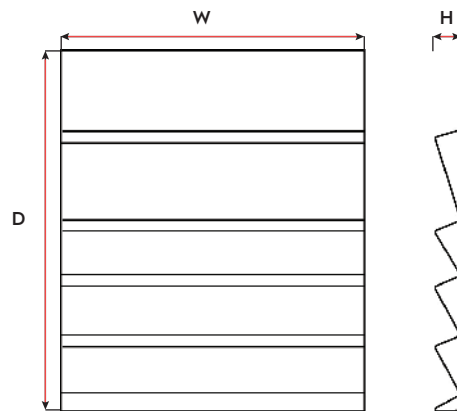


W x H x D
 1321 x 50 x 546mm
 (52 x 2 x 21 1/2")

Part#

04-2823

Planning



PRODUCT FEATURES

The polymer sink front tip-out tray is a great way to utilize wasted space in the kitchen and is designed for use with scissor or Euro-tray hinges.

- Available in 11 and 14 inch widths
- Designed for use with both Scissor or Euro-Tray hinges (sold separately)
- Traditional white finish
- Qty per Box: 10 pcs



Planning

Minimum Interior Cabinet Dimensions mm/inch

Installed with Scissor Hinges

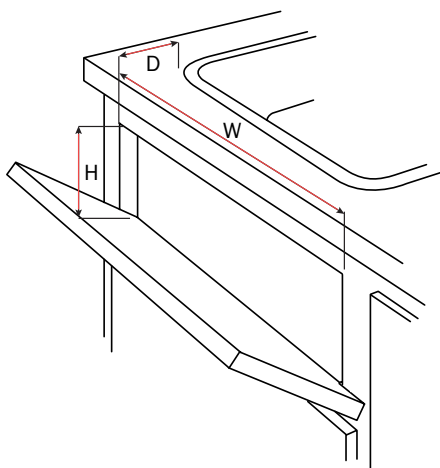
1 W x H x D 318 x 89 x 64mm (12 1/2 x 3 1/2 x 2 1/2")

2 W x H x D 394 x 89 x 64mm (15 1/2 x 3 1/2 x 2 1/2")

Installed with Euro-Tray Hinges

1 W x H x D 387 x 89 x 64mm (15 1/4 x 3 1/2 x 2 1/2")

2 W x H x D 464 x 89 x 64mm (18 1/4 x 3 1/2 x 2 1/2")



Order Information

Polymer Sink Front Tip-Out Trays sold per piece, 10 pcs per box.

H x D
76 x 51mm
(3 x 2")



Width	Part#
1 279mm (11")	KPSF11-W
2 356mm (14")	KPSF14-W

Tip-Out Tray Hinges, sold per pair, packed 10 pairs per box.

Type	Part#
Scissor	KSH-10
Euro-Tray	KET-H-N



Tip Out Trays, White



PRODUCT FEATURES

The polymer sink front tip-out tray is a great way to utilize wasted space in the kitchen and is designed for use with scissor or Euro-tray hinges.

- Trays are sold in sets of 2
- One tray from pair comes with internal divider
- Available in 11 and 14 inch widths
- Designed for use with both Scissor or Euro-Tray hinges (sold separately)
- Traditional white finish
- Qty per Box: 20 sets

Order Information

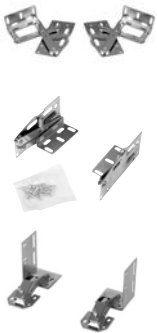
Polymer Sink Front Tip-Out Trays sold per pair, 20 sets per box.



H x D
96 x 55mm
(3 7/8 x 2 1/8")

Width	Part#
1 279mm (11")	04-2511D
2 356mm (14")	04-2514D

Tip-Out Tray Hinges, sold per pair

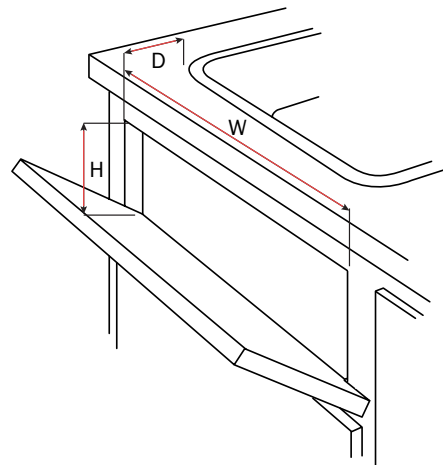


Type	Part#
Scissor	04-2500
Scissor	KSH-10
Euro-Tray	KET-H-N

Planning

Minimum Interior Cabinet Dimensions mm/inch

- Installed with Scissor Hinges**
- 1 W x H x D 342 x 127 x 64mm (13 7/16 x 5 x 2 1/2")
 - 2 W x H x D 432 x 127 x 64mm (17 x 5 x 2 1/2")
- Installed with Euro-Tray Hinges**
- 1 W x H x D 412 x 127 x 64mm (16 1/4 x 5 x 2 1/2")
 - 2 W x H x D 502 x 127 x 64mm (19 3/4 x 5 x 2 1/2")



PRODUCT FEATURES

Extruded Tip Out Trays allow you to cut to length to suit your false front. End caps can be glued in place to cover your cut ends and serve as convenient screw-on mounting points.

- Available in 36 and 72 inch lengths
- Can be cut to suit project length
- End caps with adhesive sold separately
- Traditional white finish
- Easy to clean, durable white PVC
- Install with Scissor or Euro-Tray hinges (sold separately)



Planning

Minimum Interior Cabinet Dimensions mm/inch

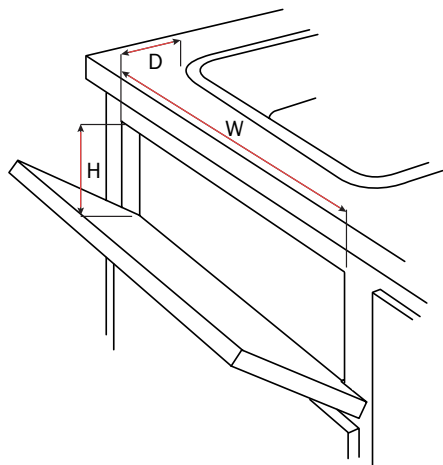
Installed with Scissor Hinges

- 1 W x H x D 902 x 114 x 73mm (35 1/2 x 4 1/2 x 2 7/8")
- 2 W x H x D 1873 x 114 x 73mm (73 3/4 x 4 1/2 x 2 7/8")

Installed with Euro-Tray Hinges


- 1 W x H x D 972 x 114 x 73mm (38 1/4 x 4 1/2 x 2 7/8")
- 2 W x H x D 1943 x 114 x 73mm (76 1/2 x 4 1/2 x 2 7/8")

** Reduced according to your cut length



Order Information

Extruded Sink Front Tip-Out Trays sold per piece, 10 pcs per box.

Width	Part#	H x D 102 x 60mm (4 x 2 3/8")
1 857mm (33 3/4")	KXSF34-10-W	
2 1829mm (72")	KXSF72-10-W	

End Caps with Adhesive, sold per pair, packed 20 pairs per box.

Part#
KHP-XSF-EC-20-W



Tip-Out Tray Hinges, sold per pair, packed 10 pairs per box.

Type	Part#
Scissor	KSH-10
Euro-Tray	KET-H-N



Extruded Tip Out Trays, White



PRODUCT FEATURES

Extruded Tip Out Trays allow you to cut to length to suit your false front. End caps can be glued in place to cover your cut ends and serve as convenient screw-on mounting points.

- Available in 36 and 72 inch lengths
- Can be cut to suit project length
- End caps snap onto your cut end (sold separately or as combo kit)
- Install with Scissor or Euro-Tray hinges (sold separately or as combo kit)
- Traditional white finish
- Easy to clean, durable white PVC

Order Information

Extruded Front Tip-Out Trays Kit, includes Hinges and Caps



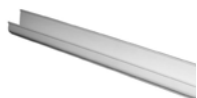
H x D
96 x 60mm
(3 3/4 x 2 3/8")

Width

Part#

- | | | |
|---|-------------|---------|
| 1 | 914mm (36") | 04-2538 |
|---|-------------|---------|

Extruded Front Tip-Out Trays sold per each, 10 per box.



H x D
96 x 60mm
(3 3/4 x 2 3/8")

Width

Part#

- | | | |
|---|--------------|---------|
| 1 | 914mm (36") | 04-2536 |
| 2 | 1829mm (72") | 04-2535 |

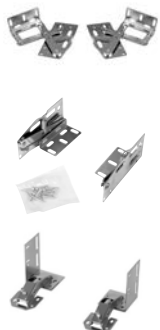
End Caps sold per pair, 10 pairs per box.



Part#

04-2537

Tip-Out Tray Hinges, sold per pair



Type

Part#

- | | |
|-----------|---------|
| Scissor | 04-2500 |
| Scissor | KSH-10 |
| Euro-Tray | KET-H-N |

Planning

Minimum Interior Cabinet Dimensions mm/inch

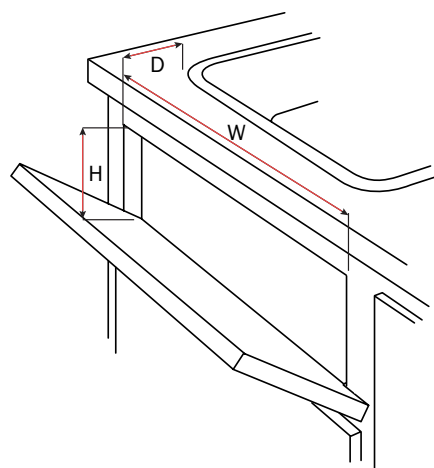
Installed with Scissor Hinges

- | | | |
|---|-----------|---|
| 1 | W x H x D | 959 x 108 x 73mm (37 3/4 x 4 1/4 x 2 7/8") |
| 2 | W x H x D | 1874 x 108 x 73mm (73 3/4 x 4 1/4 x 2 7/8") |

Installed with Euro-Tray Hinges

- | | | |
|---|-----------|---|
| 1 | W x H x D | 1028 x 108 x 73mm (40 1/2 x 4 1/4 x 2 7/8") |
| 2 | W x H x D | 1943 x 108 x 73mm (76 1/2 x 4 1/4 x 2 7/8") |

** Reduced according to your cut length



PRODUCT FEATURES

The scissor and Euro-tray hinges work with sink front trays (sold separately) to turn a false-front panel into usable space. Not intended for inset applications.

- Includes mounting hardware
- Euro-Tray Hinges can be adjusted from 45 to 90 degrees of opening angle
- Scissor Hinges are spring-loaded and self-closing with an internal stop



Planning

Order Information

Scissor Hinges, sold per pair with screws. 40 pairs per box.

 **MARATHON**

W x H x D
38 x 47 x 98mm
(1 1/2 x 1 7/8 x 3 7/8")



Part#

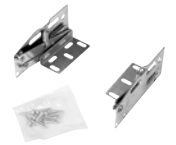
04-2500

Scissor Hinges, sold per pair with screws. 10 pairs per box.



KNAPE & VOGT

W x H x D
38 x 47 x 98mm
(1 1/2 x 1 7/8 x 3 7/8")



Part#

KSH-10

Euro-Tray Hinges, sold per pair with screws. 10 pairs per box.



KNAPE & VOGT

W x H x D
50 x 70 x 110mm
(2 x 2 3/4 x 4 3/8")



Part#

KET-H-N

Tray Dividers, Chrome Finish



PRODUCT FEATURES

Improve your organization and create easy access for your sheet pans, cutting boards, and all other trays in your lower cabinet. Available in attractive chrome finish for integration into your project design.

- Welded mounting points with predrilled holes
- Screws to base and back of cabinet
- Available in 12 and 18 inch heights
- Attractive chrome finish
- Qty per Box: 30

Order Information

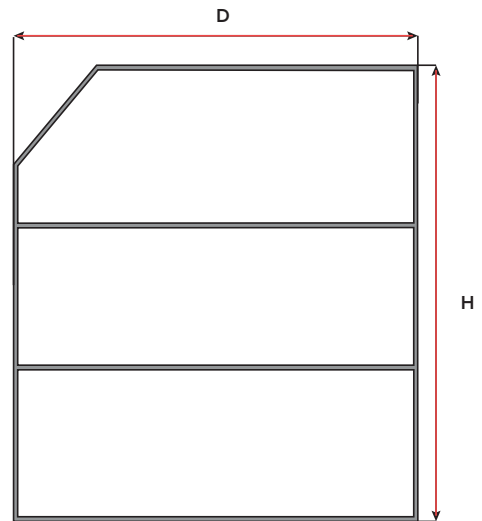
Tray Dividers, Chrome



W x D
19 x 483mm
(¾ x 19")

Height (H)	Part#
305mm (12")	041-TDC-12
457mm (18")	041-TDC-18

Planning



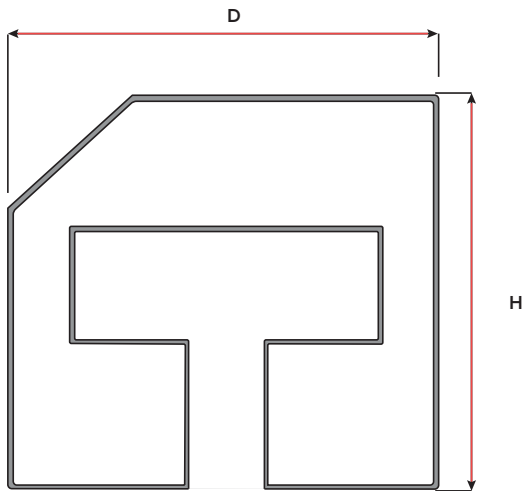
PRODUCT FEATURES

Keep your sheet pans, cutting boards, and all other trays in your lower cabinet better organized, with easy access. Traditional white finish for better coordination with your project design..

- Easily installs with four attachment clips
- Available in 12 and 18 inch heights
- Traditional white finish
- Qty per Box: 10



Planning



Order Information

Tray Dividers, White

W x D
24 x 496mm
($\frac{1}{8}$ " x 19 $\frac{1}{2}$ ")

Height	Part#
305mm (12")	KTD12-W
457mm (18")	KTD18-W

